

H8/300L Series  
Programming Manual

**HITACHI**

## Notice

When using this document, keep the following in mind:

1. This document may, wholly or partially, be subject to change without notice.
2. All rights are reserved: No one is permitted to reproduce or duplicate, in any form, the whole or part of this document without Hitachi's permission.
3. Hitachi will not be held responsible for any damage to the user that may result from accidents or any other reasons during operation of the user's unit according to this document.
4. Circuitry and other examples described herein are meant merely to indicate the characteristics and performance of Hitachi's semiconductor products. Hitachi assumes no responsibility for any intellectual property claims or other problems that may result from applications based on the examples described herein.
5. No license is granted by implication or otherwise under any patents or other rights of any third party or Hitachi, Ltd.
6. **MEDICAL APPLICATIONS:** Hitachi's products are not authorized for use in **MEDICAL APPLICATIONS** without the written consent of the appropriate officer of Hitachi's sales company. Such use includes, but is not limited to, use in life support systems. Buyers of Hitachi's products are requested to notify the relevant Hitachi sales offices when planning to use the products in **MEDICAL APPLICATIONS**.

# Contents

Preface .....	1
Section 1. CPU.....	3
1.1 Overview .....	3
1.1.1 Features .....	3
1.1.2 Data Structure.....	4
1.1.3 Address Space.....	6
1.1.4 Register Configuration.....	6
1.2 Registers .....	7
1.2.1 General Registers.....	7
1.2.2 Control Registers .....	7
1.2.3 Initial Register Values .....	8
1.3 Instructions .....	9
1.3.1 Types of Instructions.....	9
1.3.2 Instruction Functions .....	9
1.3.3 Basic Instruction Formats .....	20
1.3.4 Addressing Modes and Effective Address Calculation .....	25
Section 2. Instruction Set.....	31
2.1 Explanation Format.....	31
ADD (add binary) (byte).....	31
2.2 Instructions .....	36
2.2.1(1) ADD (add binary) (byte) .....	36
2.2.1 (2) ADD (add binary) (word) .....	37
2.2.2 ADDS (add with sign extension) .....	38
2.2.3 ADDX (add with extend carry) .....	39
2.2.4 AND (AND logical).....	40
2.2.5 ANDC (AND control register) .....	41
2.2.6 BAND (bit AND).....	42
2.2.7 Bcc (branch conditionally).....	44
2.2.8 BCLR (bit clear).....	47
2.2.9 BIAN (bit invert AND) .....	49
2.2.10 BILD (bit invert load) .....	51
2.2.11 BIOR (bit invert inclusive OR) .....	53
2.2.12 BIST (bit invert store).....	55
2.2.13 BIXOR (bit invert exclusive OR).....	57
2.2.14 BLD (bit load) .....	59
2.2.15 BNOT (bit NOT) .....	61
2.2.16 BOR (bit inclusive OR).....	63

2.2.17 BSET (bit set).....	65
2.2.18 BSR (branch to subroutine).....	67
2.2.19 BST (bit store).....	68
2.2.20 BTST (bit test).....	70
2.2.21 BXOR (bit exclusive OR).....	72
2.2.22 (1) CMP (compare) (byte) CMP.....	74
2.2.22 (2) CMP (compare) (word).....	75
2.2.23 DAA (decimal adjust add).....	76
2.2.24 DAS (decimal adjust subtract).....	78
2.2.25 DEC (decrement).....	79
2.2.26 DIVXU (divide extend as unsigned).....	80
2.2.27 EEPMOV (move data to EEPROM).....	83
2.2.28 INC (increment).....	85
2.2.29 JMP (jump).....	86
2.2.30 JSR (Jump to subroutine).....	87
2.2.31 LDC (load to control register).....	88
2.2.32 (1) MOV (move data) (byte).....	89
2.2.32(2) MOV (move data) (word).....	90
2.2.32(3) MOV (move data) (byte).....	91
2.2.32(4) MOV (move data) (word).....	93
2.2.32(5) MOV (move) data) (byte).....	95
2.2.32(6) MOV (move data) (word).....	96
2.2.33 MULXU (multiply extend as unsigned).....	98
2.2.34 NEG (negate).....	99
2.2.35 NOP (no operation).....	100
2.2.36 NOT (NOT = logical complement).....	101
2.2.37 OR (inclusive OR logical).....	102
2.2.38 ORC (inclusive OR control register).....	103
2.2.39 POP (pop data).....	104
2.2.40 PUSH (push data).....	105
2.2.41 ROTL (rotate left).....	106
2.2.42 ROTR (rotate right).....	107
2.2.43 ROTXL (rotate with extend carry left).....	108
2.2.44 ROTXR (rotate with extend carry right).....	109
2.2.45 RTE (return from exception).....	110
2.2.46 RTS (return from subroutine).....	111
2.2.47 SHAL (shift arithmetic left).....	112
2.2.48 SHAR (shift arithmetic right).....	113
2.2.49 SHLL (shift logical left).....	115
2.2.50 SHLR (shift logical right).....	117
2.2.51 SLEEP (sleep).....	119
2.2.52 STC (store from control register).....	120
2.2.53(1) SUB (subtract binary) (byte).....	121

2.2.53(2) SUB (subtract binary) (word).....	123
2.2.54 SUBS (subtract with sign extension) .....	124
2.2.55 SUBX (subtract with extend carry) .....	125
2.2.56 XOR (exclusive OR logical) .....	126
2.2.57 XORC (exclusive OR control register).....	127
2.3 Operation Code Map.....	128
2.4 List of Instructions .....	130
2.5 Number of Execution States.....	138
<b>Section 3. CPU Operation States .....</b>	<b>145</b>
3.1 Program Execution State.....	146
3.2 Exception Handling States .....	146
3.2.1 Types and Priorities of Exception Handling .....	146
3.2.2 Exception Sources and Vector Table.....	148
3.2.3 Outline of Exception Handling Operation .....	148
3.3 Reset State .....	149
3.4 Power-Down State .....	149
<b>Section 4. Basic Operation Timing .....</b>	<b>151</b>
4.1 On-chip Memory (RAM, ROM).....	151
4.2 On-chip Peripheral Modules and External Devices.....	152



## Preface

The H8/300L Series of single-chip microcomputers is built around the high-speed H8/300L CPU, with an architecture featuring eight 16-bit (or sixteen 8-bit) general registers and a concise, optimized instruction set.

This manual gives detailed descriptions of the H8/300L instructions. The descriptions apply to all chips in the H8/300L Series. Assembly-language programmers should also read the separate H8/300 Series Cross Assembler User's Manual.

For hardware details, refer to the hardware manual of the specific chip.





# Section 1. CPU

## 1.1 Overview

The H8/300L CPU at the heart of the H8/300L Series features 16 general registers of 8 bits each (or 8 registers of 16-bits each), and a concise, optimized instruction set geared to high-speed operation.

### 1.1.1 Features

The H8/300L CPU has the following features.

- General register configuration
  - 16 8-bit registers (can be used as 8 16-bit registers)
- 55 basic instructions
  - Multiply and divide instructions
  - Powerful bit manipulation instructions
- 8 addressing modes
  - Register direct (Rn)
  - Register indirect (@Rn)
  - Register indirect with displacement (@(d: 16, Rn))
  - Register indirect with post-increment/pre-decrement (@Rn+/@-Rn)
  - Absolute address (@aa:8/@aa:16)
  - Immediate (#xx:8/#xx:16)
  - Program-counter relative (@(d:8, PC))
  - Memory indirect (@@aa:8)
- 64-kbyte address space
- High-speed operation
  - All frequently used instructions are executed in 2 to 4 states
  - High-speed operating frequency: 5 MHz
- Add/subtract between 8/1 6-bit registers: 0.4  $\mu$ s
  - 8  $\times$  8-bit multiply: 2.8  $\mu$ s
  - 16  $\div$  8-bit divide: 2.8  $\mu$ s
- Low-power operation
  - Transition to power-down state using SLEEP instruction

### 1.1.2 Data Structure

The H8/300L CPU can process 1-bit data, 4-bit (packed BCD) data, 8-bit (byte) data, and 1 6-bit (word) data.

- Bit manipulation instructions operate on 1-bit data specified as bit n (n = 0, 1, 2, ..., 7) in a byte operand.
- All operational instructions except ADDS and SUBS can operate on byte data.
- The MOV.W, ADD.W, SUB.W, CMP.W, ADDS, SUBS, MULXU (8 bits × 8 bits), and DIVXU (16 bits ÷ 8 bits) instructions operate on word data.
- The DAA and DAS instruction perform decimal arithmetic adjustments on byte data in packed BCD form. Each 4-bit of the byte is treated as a decimal digit.

**Data Structure in General Registers:** Data of all the sizes above can be stored in general registers as shown in figure 1-1.

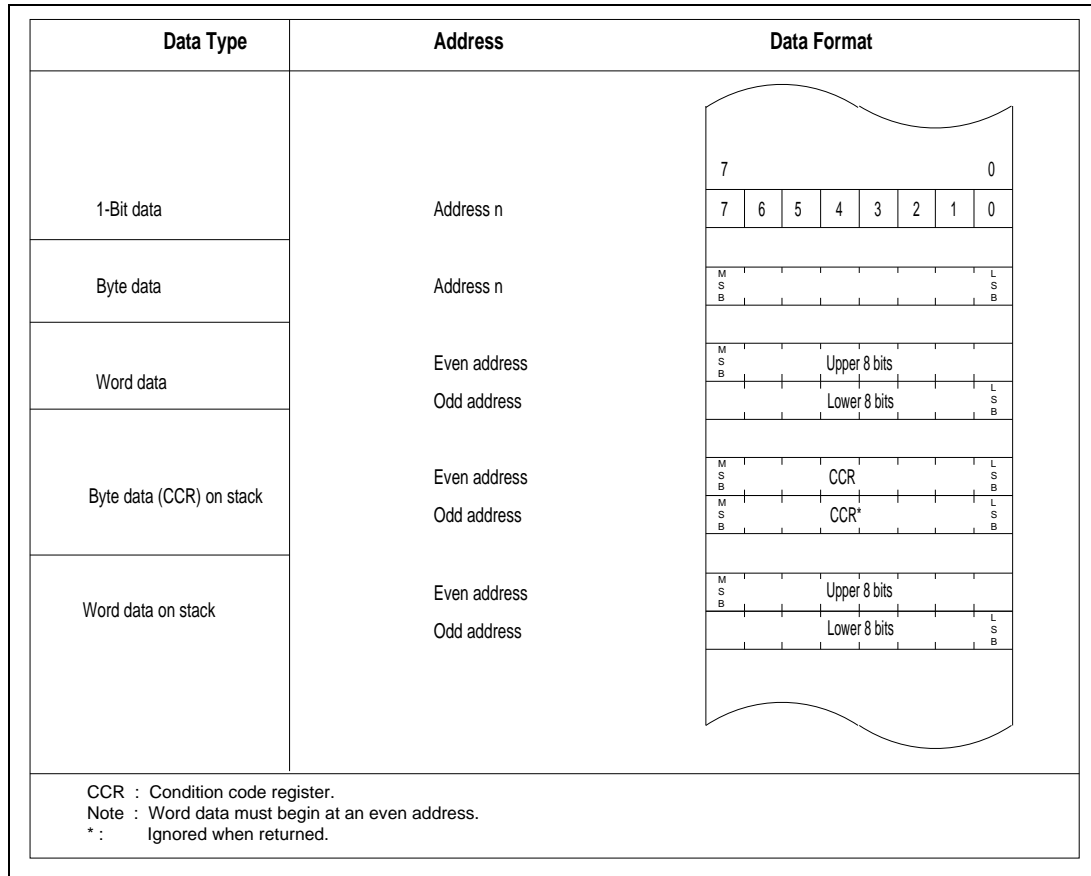
Data type	Register No.	Data format
1-Bit data	RnH	
1-Bit data	RnL	
Byte data	RnH	
Byte data	RnL	
Word data	Rn	
4-Bit BCD data	RnH	
4-Bit BCD data	RnL	

RnH: Upper 8 bits of General Register  
 RnL: Lower 8 bits of General Register  
 MSB: Most Significant Bit  
 LSB: Least Significant Bit

**Figure 1-1. Register Data Structure**

**Data Structure in Memory:** Figure 1-2 shows the structure of data in memory. The H8/300L CPU is able to access word data in memory (MOV.W instruction), but only if the word data starts from an even-numbered address. If an odd address is designated, no address error occurs, but the access is performed starting from the previous even address, with the least significant bit of the address regarded as 0.\* The same applies to instruction codes.

\* Note that the LSIs in the H8/300L Series also contain on-chip peripheral modules for which access in word size is not possible. Details are given in the applicable hardware manual.



**Figure 1-2. Memory Data Formats**

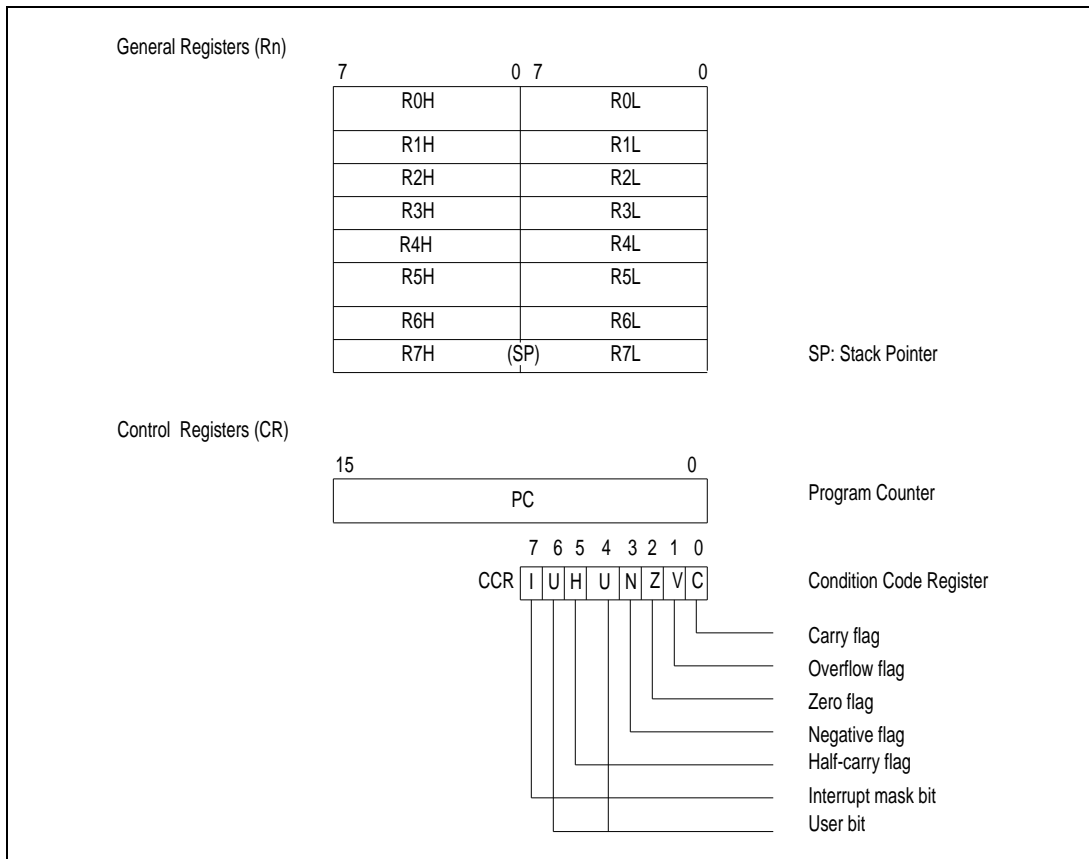
The stack is always accessed a word at a time. When the CCR is pushed on the stack, two identical copies of the CCR are pushed to make a complete word. When they are returned, the lower byte is ignored.

### 1.1.3 Address Space

The H8/300L CPU supports a 64-Kbyte address space (program code + data). The memory map differs depending on the particular chip in the H8/300L Series and its operating mode. See the applicable hardware manual for details.

### 1.1.4 Register Configuration

Figure 1-3 shows the register configuration of the H8/300L CPU. There are 16 8-bit general registers (R0H, R0L, ..., R7H, R7L), which can also be accessed as eight 16-bit registers (R0 to R7). There are two control registers: the 16-bit program counter (PC) and the 8-bit condition code register (CCR).



**Figure 1-3. CPU Registers**

## 1.2 Registers

### 1.2.1 General Registers

All the general registers can be used as both data registers and address registers. When used as address registers, the general registers are accessed as 16-bit registers (R0 to R7). When used as data registers, they can be accessed as 16-bit registers (R0 to R7), or the high (R0H to R7H) and low (R0L to R7L) bytes can be accessed separately as 8-bit registers. The register length is determined by the instruction.

R7 also functions as the stack pointer, used implicitly by hardware in processing interrupts and subroutine calls. In assembly language, the letters SP can be coded as a synonym for R7. As indicated in figure 1-4, R7 (SP) points to the top of the stack.

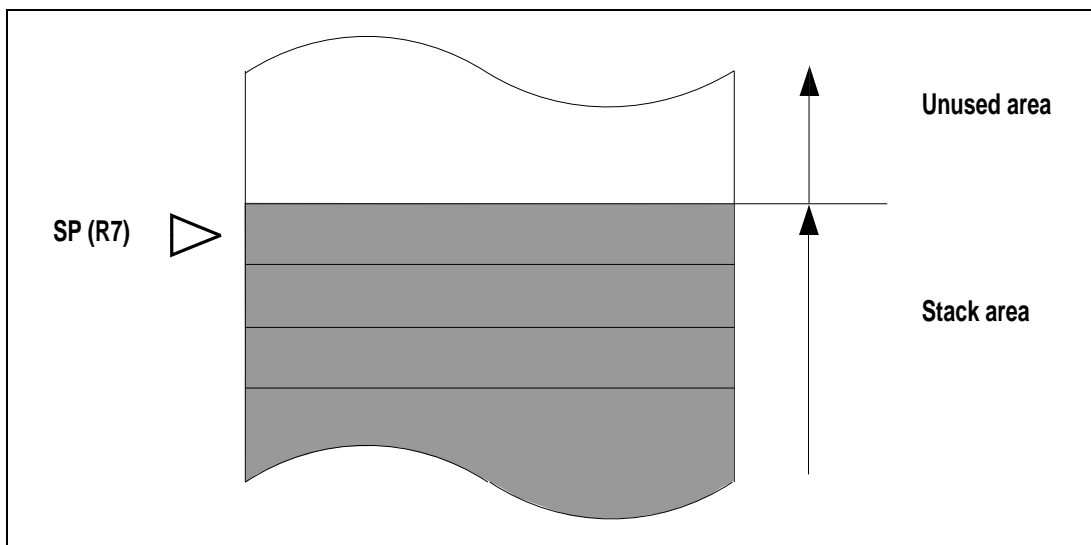


Figure 1-4. Stack Pointer

### 1.2.2 Control Registers

The CPU has a 16-bit program counter (PC) and an 8-bit condition code register (CCR).

- (1) **Program Counter (PC):** This 16-bit register indicates the address of the next instruction the CPU will execute. Instructions are fetched by 16-bit (word) access, so the least significant bit of the PC is ignored (always regarded as 0).
- (2) **Condition Code Register (CCR):** This 8-bit register indicates the internal status of the CPU with an interrupt mask (I) bit and five flag bits: half-carry (H), negative (N), zero (Z), overflow (V), and carry (C) flags. The two unused bits are available to the user. The bit configuration of the condition code register is shown below.

Bit	7	6	5	4	3	2	1	0
	I	U	H	U	N	Z	V	C
Initial value	1	*	*	*	*	*	*	*
Read/Write	R/W	R/W	R/W	R/W	R/W	R/W	R/W	R/W

\* Not fixed

**Bit 7--Interrupt Mask Bit (I):** When this bit is set to 1, all interrupts except NMI are masked. This bit is set to I automatically at the start of interrupt handling.

**Bits 6 and 4--User Bits (U):** These bits can be written and read by software for its own purposes using LDC, STC, ANDC, ORC, and XORC instructions.

**Bit 5--Half-Carry (H):** This bit is used by add, subtract, and compare instructions to indicate a borrow or carry out of bit 3 or bit 11. It is referenced by the decimal adjust instructions.

**Bit 3--Negative (N):** This bit indicates the value of the most significant bit (sign bit) of the result of an instruction.

**Bit 2--Zero (Z):** This bit is set to 1 to indicate a zero result and cleared to 0 to indicate a nonzero result.

**Bit 1--Overflow (V):** This bit is set to 1 when an arithmetic overflow occurs, and cleared to 0 at other times.

**Bit 0--Carry (C):** This bit is used by:

- Add, subtract, and compare instructions, to indicate a carry or borrow at the most significant bit
- Shift and rotate instructions, to store the value shifted out of the most or least significant bit
- Bit manipulation instructions, as a bit accumulator

Note that some instructions involve no flag changes. The flag operations with each instruction are indicated in the individual instruction descriptions that follow in section 2, Instruction Set. CCR is used by LDC, STC, ANDC, ORC, and XORC instructions. The N, Z, V, and C flags are used by the conditional branch instruction (Bcc).

### 1.2.3 Initial Register Values

When the CPU is reset, the program counter (PC) is loaded from the vector table and the interrupt mask bit (I) in CCR is set to 1. The other CCR bits and the general registers are not initialized.

The initial value of the stack pointer (R7) is not fixed. To prevent program crashes the stack pointer should be initialized by software, by the first instruction executed after a reset.

## 1.3 Instructions

Features:

- The H8/300L CPU has a concise set of 55 instructions.
- A general-register architecture is adopted.
- All instructions are 2 or 4 bytes long.
- Fast multiply/divide instructions and extensive bit manipulation instructions are supported.
- Eight addressing modes are supported.

### 1.3.1 Types of Instructions

Table 1-1 classifies the H8/300L instructions by type. Section 2, Instruction Set, gives detailed descriptions.

**Table 1-1. Instruction Classification**

Function	Instructions	Types
Data transfer	MOV, POP*, PUSH*	1
Arithmetic operations	ADD, SUB, ADDX, SUBX, INC, DEC, ADDS, SUBS, DAA, DAS, MULXU, DIVXU, CMP, NEG,	14
Logic operations	AND, OR, XOR, NOT	4
Shift	SHAL, SHAR, SHLL, SHLR, ROTL, ROTR, ROTXL, ROTXR	8
Bit manipulation	BSET, BCLR, BNOT, BTST, BAND, BIAN, BOR, BIOR, BXOR, BIXOR, BLD, BILD, BST, BIST	14
Branch	Bcc**, JMP, BSR, JSR, RTS	5
System control	RTE, SLEEP, LDC, STC, ANDC, ORC, XORC, NOP	8
Block data transfer	EEPMOV	1
	Total	55

\* POP Rn is equivalent to MOV.W @SP+, Rn.

PUSH Rn is equivalent to MOV.W Rn, @-SP.

\*\* Bcc is a conditional branch instruction in which cc represents a condition.

### 1.3.2 Instruction Functions

Tables 1-2 to 1-9 give brief descriptions of the instructions in each functional group. The following notation is used.

**Notation**

Rd	General register (destination)
Rs	General register (source)
Rn	General register
(EAd)	Destination operand
(EAs)	Source operand
CCR	Condition code register
N	N (negative) bit of CCR
Z	Z (zero) bit of CCR
V	V (overflow) bit of CCR
C	C (carry) bit of CCR
PC	Program counter
SP	Stack pointer (R7)
#Imm	Immediate data
op	Operation field
disp	Displacement
+	Addition
-	Subtraction
×	Multiplication
÷	Division
^	AND logical
∨	OR logical
⊕	Exclusive OR logical
→	Move
¬	Not
:3, :8, :16	3-bit, 8-bit, or 16-bit length



**Table 1-2. Data Transfer Instructions**

<b>Instruction</b>	<b>Size*</b>	<b>Function</b>
MOV	B/W	(EAs) → Rd, Rs → (EAd) Moves data between two general registers or between a general register and memory, or moves immediate data to a general register. The Rn, @Rn, @(d:16, Rn), @aa:16, #xx:8 or #xx:16, @-Rn, and @Rn+ addressing modes are available for byte or word data. The @aa:8 addressing mode is available for byte data only. The @-R7 and @R7+ modes require word operands. Do not specify byte size for these two modes.
POP	W	@SP+ → Rn Pops a 16-bit general register from the stack. Equivalent to MOV.W @SP+, Rn.
PUSH	W	Rn → @-SP Pushes a 16-bit general register onto the stack. Equivalent to MOV.W Rn, @-SP.

\* Size: Operand size

B: Byte

W: Word

**Table 1-3. Arithmetic Instructions**

<b>Instruction</b>	<b>Size*</b>	<b>Function</b>
ADD SUB	B/W	$Rd \pm Rs \rightarrow Rd$ , $Rd + \#Imm \rightarrow Rd$ Performs addition or subtraction on data in two general registers, or addition on immediate data and data in a general register. Immediate data cannot be subtracted from data in a general register. Word data can be added or subtracted only when both words are in general registers.
ADDX SUBX	B	$Rd \pm Rs \pm C \rightarrow Rd$ , $Rd \pm \#Imm \pm C \rightarrow Rd$ Performs addition or subtraction with carry or borrow on byte data in two general registers, or addition or subtraction on immediate data and data in a general register.
INC DEC	B	$Rd \pm 1 \rightarrow Rd$ Increments or decrements a general register.
ADDS SUBS	W	$Rd \pm 1 \rightarrow Rd$ , $Rd \pm 2 \rightarrow Rd$ Adds or subtracts immediate data to or from data in a general register. The immediate data must be 1 or 2.
DAA DAS	B	$Rd$ decimal adjust $\rightarrow Rd$ Decimal-adjusts (adjusts to packed BCD) an addition or subtraction result in a general register by referring to the condition code register.
MULXU	B	$Rd \times Rs \rightarrow Rd$ Performs 8-bit $\times$ 8-bit unsigned multiplication on data in two general registers, providing a 16-bit result.
DIVXU	B	$Rd \div Rs \rightarrow Rd$ Performs 16-bit $\div$ 8-bit unsigned division on data in two general registers, providing an 8-bit quotient and 8-bit remainder.
CMP	B/W	$Rd - Rs$ , $Rd - \#Imm$ Compares data in a general register with data in another general register or with immediate data. Word data can be compared only between two general registers.
NEG	B	$0 - Rd \rightarrow Rd$ Obtains the two's complement (arithmetic complement) of data in a general register.

\* Size: Operand size

B: Byte

W: Word

**Table 1-4. Logic operation Instructions**

<b>Instruction</b>	<b>Size*</b>	<b>Function</b>
AND	B	$Rd \wedge Rs \rightarrow Rd$ , $Rd \wedge \#Imm \rightarrow Rd$ Performs a logical AND operation on a general register and another general register or immediate data.
OR	B	$Rd \vee Rs \rightarrow Rd$ , $Rd \vee \#Imm \rightarrow Rd$ Performs a logical OR operation on a general register and another general register or immediate data.
XOR	B	$Rd \oplus Rs \rightarrow Rd$ , $Rd \oplus \#Imm \rightarrow Rd$ Performs a logical exclusive OR operation on a general register and another general register or immediate data.
NOT	B	$\neg Rd \rightarrow Rd$ Obtains the one's complement (logical complement) of general register contents.

\* Size: Operand size  
B: Byte

**Table 1-5. Shift Instructions**

<b>Instruction</b>	<b>Size*</b>	<b>Function</b>
SHAL SHAR	B	$Rd \text{ shift} \rightarrow Rd$ Performs an arithmetic shift operation on general register contents.
SHLL SHLR	B	$Rd \text{ shift} \rightarrow Rd$ Performs a logical shift operation on general register contents.
ROTL ROTR	B	$Rd \text{ rotate} \rightarrow Rd$ Rotates general register contents.
ROTXL ROTXR	B	$Rd \text{ rotate through carry} \rightarrow Rd$ Rotates general register contents through the C (carry) bit.

\* Size: Operand size  
B: Byte

**Table 1-6. Bit Manipulation Instructions**

<b>Instruction</b>	<b>Size*</b>	<b>Function</b>
BSET	B	$1 \rightarrow \langle \text{bit-No.} \rangle \text{ of } \langle \text{EAd} \rangle$ Sets a specified bit in a general register or memory to 1. The bit is specified by a bit number, given in 3-bit immediate data or the lower three bits of a general register.
BCLR	B	$0 \rightarrow \langle \text{bit-No.} \rangle \text{ of } \langle \text{EAd} \rangle$ Clears a specified bit in a general register or memory to 0. The bit is specified by a bit number, given in 3-bit immediate data or the lower three bits of a general register.
BNOT	B	$\neg \langle \text{bit-No.} \rangle \text{ of } \langle \text{EAd} \rangle \rightarrow \langle \text{bit-No.} \rangle \text{ of } \langle \text{EAd} \rangle$ Inverts a specified bit in a general register or memory. The bit is specified by a bit number, given in 3-bit immediate data or the lower three bits of a general register.
BTST	B	$\neg \langle \text{bit-No.} \rangle \text{ of } \langle \text{EAd} \rangle \rightarrow Z$ Tests a specified bit in a general register or memory and sets or clears the Z flag accordingly. The bit is specified by a bit number, given in 3-bit immediate data or the lower three bits of a general register.
BAND	B	$C \wedge \langle \text{bit-No.} \rangle \text{ of } \langle \text{EAd} \rangle \rightarrow C$ ANDs the C flag with a specified bit in a general register or memory.
BIAND	B	$C \wedge [\neg \langle \text{bit-No.} \rangle \text{ of } \langle \text{EAd} \rangle] \rightarrow C$ ANDs the C flag with the inverse of a specified bit in a general register or memory. The bit number is specified by 3-bit immediate data.
BOR	B	$C \vee \langle \text{bit-No.} \rangle \text{ of } \langle \text{EAd} \rangle \rightarrow C$ ORs the C flag with a specified bit in a general register or memory.
BIOR	B	$C \vee [\neg \langle \text{bit-No.} \rangle \text{ of } \langle \text{EAd} \rangle] \rightarrow C$ ORs the C flag with the inverse of a specified bit in a general register or memory. The bit number is specified by 3-bit immediate data.
BXOR	B	$C \oplus \langle \text{bit-No.} \rangle \text{ of } \langle \text{EAd} \rangle \rightarrow C$ Exclusive-ORs the C flag with a specified bit in a general register or memory.
BIXOR	B	$C \oplus [\neg \langle \text{bit-No.} \rangle \text{ of } \langle \text{EAd} \rangle] \rightarrow C$ Exclusive-ORs the C flag with the inverse of a specified bit in a general register or memory. The bit number is specified by 3-bit immediate data.
BLD	B	$\langle \text{bit-No.} \rangle \text{ of } \langle \text{EAd} \rangle \rightarrow C$ Copies a specified bit in a general register or memory to the C flag.
BILD	B	$\neg \langle \text{bit-No.} \rangle \text{ of } \langle \text{EAd} \rangle \rightarrow C$ Copies the inverse of a specified bit in a general register or memory to the C flag. The bit number is specified by 3-bit immediate data.
BST	B	$C \rightarrow \langle \text{bit-No.} \rangle \text{ of } \langle \text{EAd} \rangle$ Copies the C flag to a specified bit in a general register or memory.
BIST	B	$\neg C \rightarrow \langle \text{bit-No.} \rangle \text{ of } \langle \text{EAd} \rangle$ Copies the inverse of the C flag to a specified bit in a general register or memory. The bit number is specified by 3-bit immediate data.

\* Size: Operand size  
B: Byte

**Table 1-7. Branching Instructions**

<b>Instruction</b>	<b>Size</b>	<b>Function</b>
Bcc	--	Branches if condition cc is true. The branching conditions are as follows.
		<b>Mnemonic</b> <b>Description</b> <b>Condition</b>
		BRA (BT)    Always (True)    Always
		BRN (BF)    Never (False)    Never
		BHI    High $C \vee Z = 0$
		BLS    Low or Same $C \vee Z = 1$
		BCC (BHS)    Carry Clear (High or Same) $C = 0$
		BCS (BLO)    Carry Set (Low) $C = 1$
		BNE    Not Equal $Z = 0$
		BEQ    Equal $Z = 1$
		BVC    Overflow Clear $V = 0$
		BVS    Overflow Set $V = 1$
		BPL    Plus $N = 0$
		BMI    Minus $N = 1$
		BGE    Greater or Equal $N \oplus V = 0$
		BLT    Less Than $N \oplus V = 1$
		BGT    Greater Than $Z \vee (N \oplus V) = 0$
BLE    Less or Equal $Z \vee (N \oplus V) = 1$		
JMP	--	Branches unconditionally to a specified address.
BSR	--	Branches to a subroutine at a specified displacement from the current address.
JSR	--	Branches to a subroutine at a specified address.
RTS	--	Returns from a subroutine.

**Table 1-8. System Control Instructions**

Instruction	Size*	Function
RTE	--	Returns from an exception handling routine.
SLEEP	--	Causes a transition to power-down state.
LDC	B	$R_s \rightarrow CCR$ , $\#Imm \rightarrow CCR$ Moves immediate data or general register contents to the condition code register.
STC	B	$CCR \rightarrow R_d$ Copies the condition code register to a specified general register.
ANDC	B	$CCR \wedge \#Imm \rightarrow CCR$ Logically ANDs the condition code register with immediate data.
ORC	B	$CCR \vee \#Imm \rightarrow CCR$ Logically ORs the condition code register with immediate data.
XORC	B	$CCR \oplus \#Imm \rightarrow CCR$ Logically exclusive-ORs the condition code register with immediate data.
NOP	--	$PC + 2 \rightarrow PC$ Only increments the program counter.

\* Size: Operand size

B: Byte

**Table 1-9. Block Data Transfer Instruction**

Instruction	Size	Function
EPMOV	--	if $R4L \neq 0$ then repeat $@R5+ \rightarrow @R6+$ $R4L - 1 \rightarrow R4L$ until $R4L = 0$ else next; Moves a data block according to parameters set in general registers

R4L, R5, and R6.

R4L: size of block (bytes)

R5: starting source address

R6: starting destination address

Execution of the next instruction starts as soon as the block transfer is completed.

This instruction is for writing to the large-capacity EEPROM provided on chip with some models in the H8/300L Series. For details see the applicable hardware manual.

**Notes on Bit Manipulation Instructions:** BSET, BCLR, BNOT, BST, and BIST are read-modify-write instructions. They read a byte of data, modify one bit in the byte, then write the byte back. Care is required when these instructions are applied to registers with write-only bits and to the I/O port registers.

Sequence	Operation
1 Read	Read one data byte at the specified address
2 Modify	Modify one bit in the data byte
3 Write	Write the modified data byte back to the specified address

**Example 1:** BCLR is executed to clear bit 0 in port control register 4 (PCR4) under the following conditions.

P47: Input pin, Low  
P46: Input pin, High  
P45 - P40: Output pins, Low

The intended purpose of this BCLR instruction is to switch P40 from output to input.

**Before Execution of BCLR Instruction**

	P47	P46	P45	P44	P43	P42	P41	P40
Input/output	Input	Input	Output	Output	Output	Output	Output	Output
Pin state	Low	High	Low	Low	Low	Low	Low	Low
PCR4	0	0	1	1	1	1	1	1
PDR4	1	0	0	0	0	0	0	0

**Execution of BCLR Instruction**

```
BCLR #0 @PCR4 ;clear bit 0 in PCR4
```

**After Execution of BCLR Instruction**

	P47	P46	P45	P44	P43	P42	P41	P40
Input/output	Output	Output	Output	Output	Output	Output	Output	Input
Pin state	Low	High	Low	Low	Low	Low	Low	High
PCR4	1	1	1	1	1	1	1	0
PDR4	1	0	0	0	0	0	0	0

**Explanation:** To execute the BCLR instruction, the CPU begins by reading PCR4. Since PCR4 is a write-only register, it is read as H'FF, even though its true value is H'3F.

Next the CPU clears bit 0 of the read data, changing the value to H'FE.

Finally, the CPU writes this value (H'FE) back to PCR4 to complete the BCLR instruction.

As a result, bit 0 in PCR4 is cleared to 0, making P40 an input pin. In addition, bits 7 and 6 in PCR4 are set to 1, making P47 and P46 output pins.

**Example 2:** BSET is executed to set bit 0 in the port 4 port data register (PDR4) under the following conditions.

P47: Input pin, Low

P46: Input pin, High

P45 P40: Output pins, Low

The intended purpose of this BSET instruction is to switch the output level at P40 from Low to High.

#### Before Execution of BSET Instruction

	P47	P46	P45	P44	P43	P42	P41	P40
Input/output	Input	Input	Output	Output	Output	Output	Output	Output
Pin state	Low	High	Low	Low	Low	Low	Low	Low
PCR4	0	0	1	1	1	1	1	1
PDR4	1	0	0	0	0	0	0	0

#### Execution of BSET Instruction

```
BSET #0 @PDR4 ;set bit 0 in port 4 port data register
```

#### After Execution of BSET Instruction

	P47	P46	P45	P44	P43	P42	P41	P40
Input/output	Input	Input	Output	Output	Output	Output	Output	Output
Pin state	Low	High	Low	Low	Low	Low	Low	High
PCR4	0	0	1	1	1	1	1	1
PDR4	0	1	0	0	0	0	0	1



**Explanation:** To execute the BSET instruction, the CPU begins by reading port 4. Since P47 and P46 are input pins, the CPU reads the level of these pins directly, not the value in the port data register. It reads P47 as Low (0) and P46 as High (1).

Since P45 to P40 are output pins, for these pins the CPU reads the value in PDR4. The CPU therefore reads the value of port 4 as H'40, although the actual value in PDR4 is H'80.

Next the CPU sets bit 0 of the read data to 1, changing the value to H'41.

Finally, the CPU writes this value (H'41) back to PDR4 to complete the BSET instruction.

As a result, bit 0 in PDR4 is set to 0, switching pin P40 to High output. However, bits 7 and 6 in PDR4 change their values.

### 1.3.3 Basic Instruction Formats

#### (1) Format of Data Transfer Instructions

Figure 1-5 shows the format used for data transfer instructions.

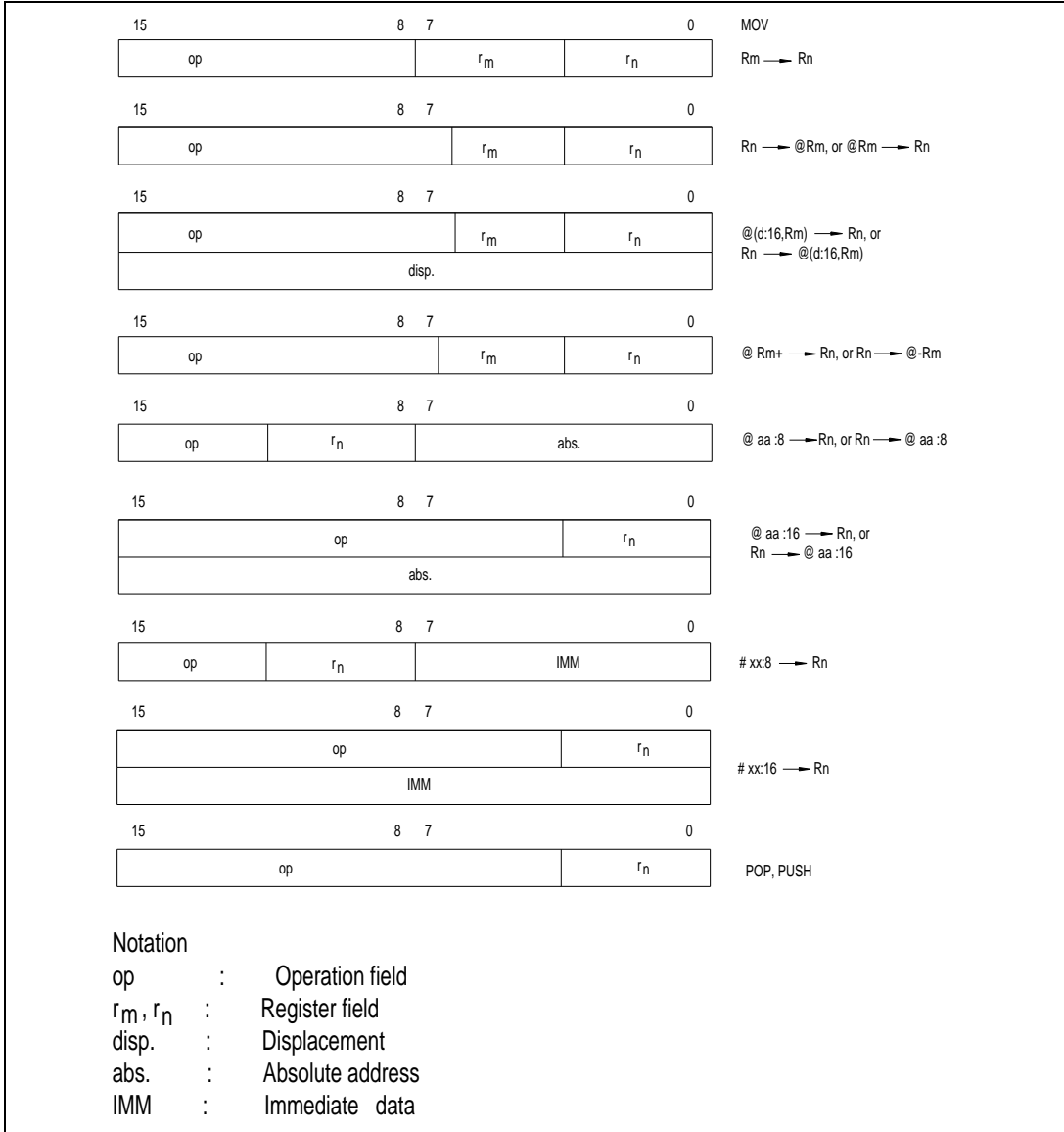
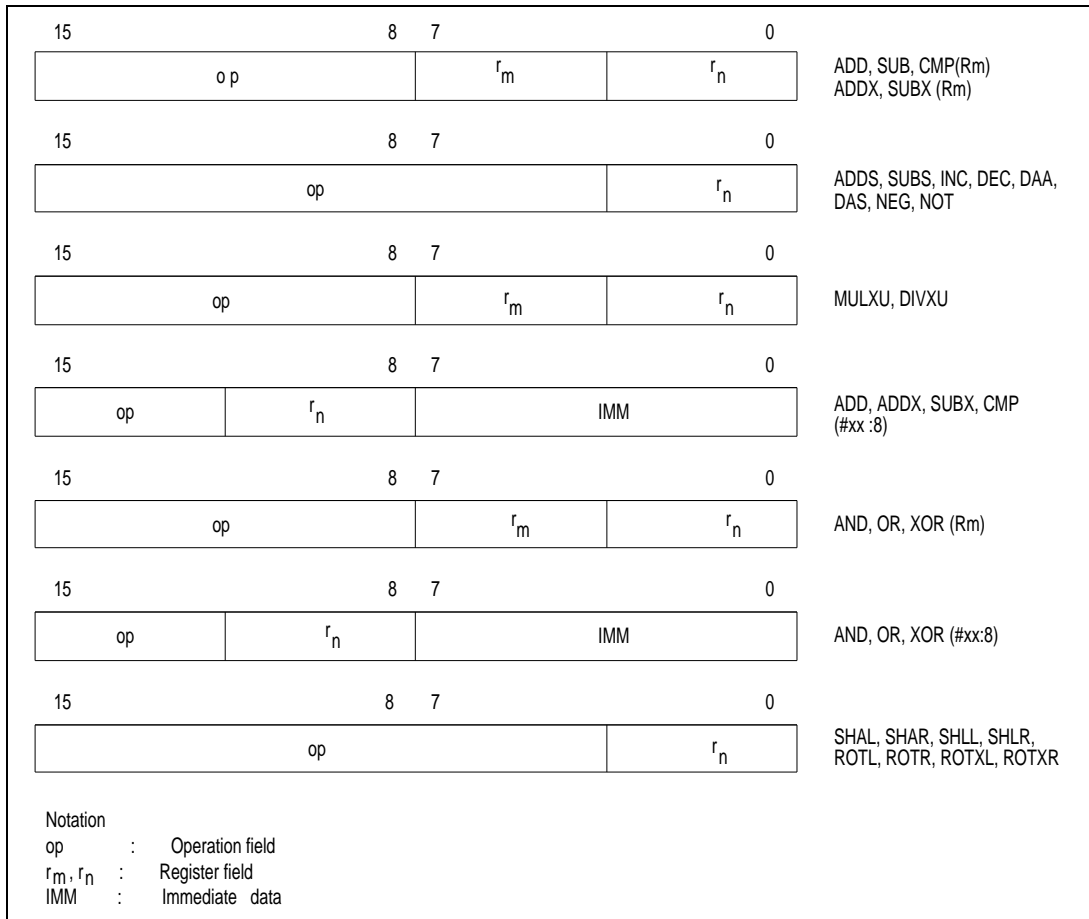


Figure 1-5. Instruction Format of Data Transfer Instructions

(2) Format of Arithmetic, Logic Operation, and Shift Instructions

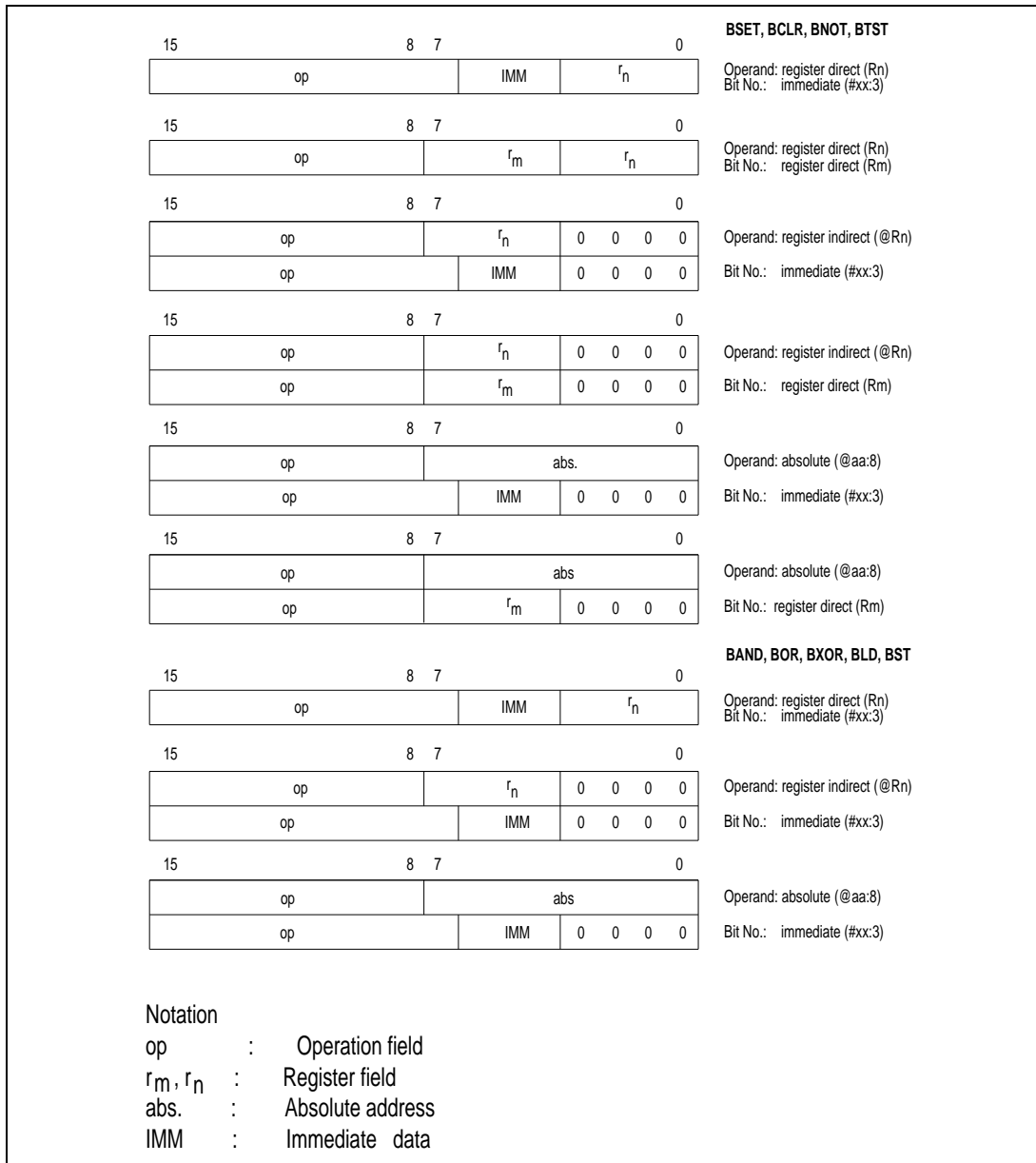
Figure 1-6 shows the format used for arithmetic, logic operation, and shift instructions.



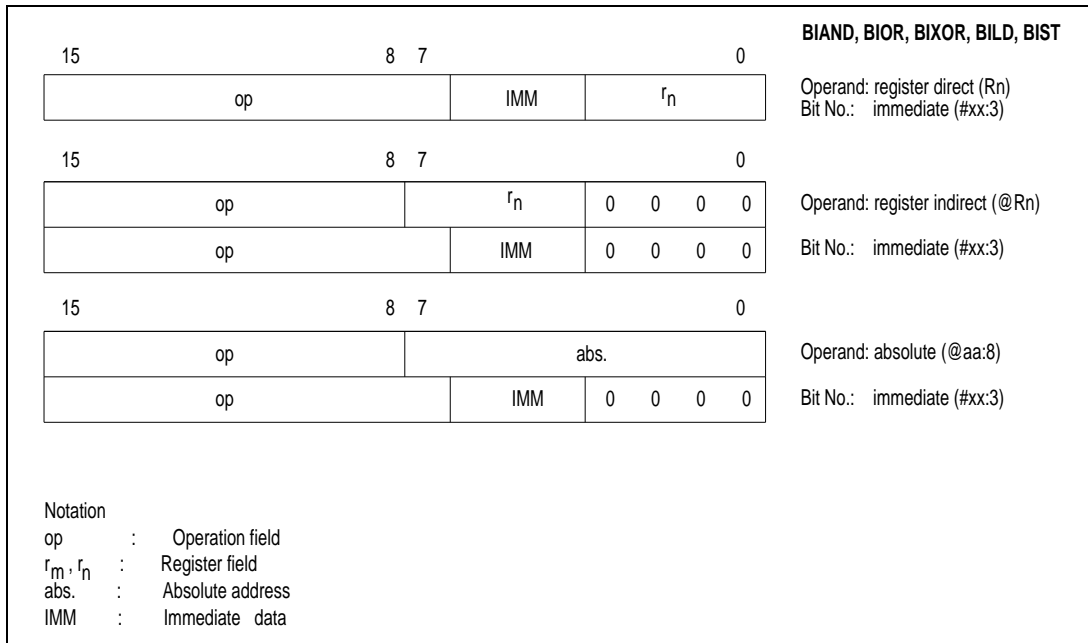
**Figure 1-6. Instruction Format of Arithmetic, Logic, and Shift Instructions**

### (3) Format of Bit Manipulation Instructions

Figure 1-7 shows the format used for bit manipulation instructions.



**Figure 1-7. Instruction Format of Bit Manipulation Instructions**



**Figure 1-7. Instruction Format of Bit Manipulation Instructions (Cont.)**

(4) Format of Branching Instructions

Figure 1-8 shows the format used for branching instructions.

15	8	7	0		
op		cc	disp.		Bcc
15	8	7	0		
op		r <sub>m</sub>	0	0 0 0 0	JMP (@Rm)
15	8	7	0		
op		abs.			JMP (@aa:16)
15	8	7	0		
op		abs.			JMP (@@aa:8)
15	8	7	0		
op		disp.			BSR
15	8	7	0		
op		r <sub>m</sub>	0	0 0 0 0	JSR (@Rm)
15	8	7	0		
op		abs.			JSR (@aa:16)
15	8	7	0		
op		abs.			JSR (@@aa:8)
15	8	7	0		
op					RTS

Notation

op : Operation field

cc : Condition field

r<sub>m</sub> : Register field

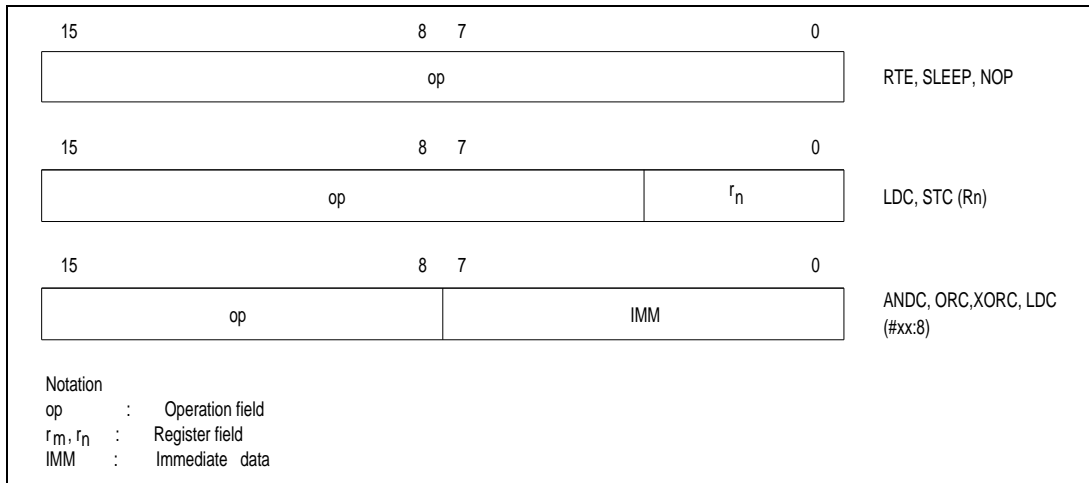
disp. : Displacement

abs. : Absolute address

**Figure 1-8. Instruction Format of Branching Instructions**

(5) Format of System Control Instructions

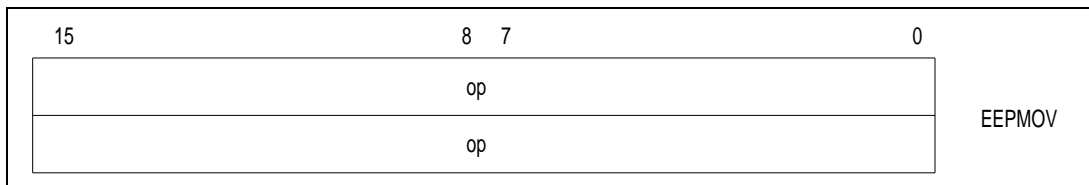
Figure 1-9 shows the format used for system control instructions.



**Figure 1-9. Instruction Format of System Control Instructions**

(6) Format of Block Data Transfer Instruction

Figure 1-10 shows the format used for the block data transfer instruction.



**Figure 1-10. Instruction Format of Block Data Transfer Instruction**

**1.3.4 Addressing Modes and Effective Address Calculation**

Table 1-10 lists the eight addressing modes and their assembly-language notation. Each instruction can use a specific subset of these addressing modes.

Arithmetic, logic, and shift instructions use register direct addressing (1). The ADD.B, ADDX, SUBX, CMP.B, AND, OR, and XOR instructions can also use immediate addressing (6).

The MOV instruction uses all the addressing modes except program-counter relative (7) and memory indirect (8).

Bit manipulation instructions use register direct (1), register indirect (2), or absolute (5) addressing to identify a byte operand and 3-bit immediate addressing to identify a bit within the byte. The BSET, BCLR, BNOT, and BTST instructions can also use register direct addressing (1) to identify the bit.

**Table 1-10. Addressing Modes**

No.	Mode	Notation
(1)	Register direct	Rn
(2)	Register indirect	@Rn
(3)	Register indirect with 16-bit displacement	@(d:16, Rn)
(4)	Register indirect with post-increment Register indirect with pre-decrement	@Rn+ @-Rn
(5)	Absolute address (8 or 16 bits)	@aa:8, @aa:16
(6)	Immediate (3-, 8-, or 16-bit data)	#xx:3, #xx:8, #xx:16
(7)	PC-relative (8-bit displacement)	@(d:8, PC)
(8)	Memory indirect	@@aa:8

- (1) **Register Direct--Rn:** The register field of the instruction specifies an 8- or 16-bit general register containing the operand. In most cases the general register is accessed as an 8-bit register. Only the MOV.W, ADD.W, SUB.W, CMP.W, ADDS, SUBS, MULXU (8 bits × 8 bits), and DIVXU (16 bits ÷ 8 bits) instructions have 16-bit operands.
- (2) **Register indirect--@Rn:** The register field of the instruction specifies a 16-bit general register containing the address of the operand.
- (3) **Register Indirect with Displacement--@(d:16, Rn):** This mode, which is used only in MOV instructions, is similar to register indirect but the instruction has a second word (bytes 3 and 4) which is added to the contents of the specified general register to obtain the operand address. For the MOV.W instruction, the resulting address must be even.
- (4) **Register Indirect with Post-Increment or Pre-Decrement--@Rn+ or @-Rn:**
- Register indirect with post-increment @Rn+  
The @Rn+ mode is used with MOV instructions that load registers from memory. It is similar to the register indirect mode, but the 16-bit general register specified in the register field of the instruction is incremented after the operand is accessed. The size of the increment is 1 or 2 depending on the size of the operand: 1 for a byte operand; 2 for a word operand. For a word operand, the original contents of the 16-bit general register must be even.
  - Register indirect with pre-decrement @-Rn  
The @-Rn mode is used with MOV instructions that store register contents to memory. It is similar to the register indirect mode, but the 16-bit general register specified in the register field of the instruction is incremented before the operand is accessed. The size of the decrement is 1 or 2 depending on the size of the operand: 1 for a byte operand; 2 for a word operand. For a word operand, the original contents of the 16-bit general register must be even.



- (5) **Absolute Address--@aa:8 or @aa:16:** The instruction specifies the absolute address of the operand in memory. The @aa:8 mode uses an 8-bit absolute address of the form H'FFxx. The upper 8 bits are assumed to be 1, so the possible address range is H'FF00 to H'FFFF (65280 to 65535). The MOV.B, MOV.W, JMP, and JSR instructions can use 16-bit absolute addresses.
- (6) **Immediate--#xx:8 or #xx:16:** The instruction contains an 8-bit operand in its second byte, or a 16-bit operand in its third and fourth bytes. Only MOV.W instructions can contain 16-bit immediate values.
- The ADDS and SUBS instructions implicitly contain the value 1 or 2 as immediate data. Some bit manipulation instructions contain 3-bit immediate data (#xx:3) in the second or fourth byte of the instruction, specifying a bit number.
- (7) **PC-Relative--@(d:8, PC):** This mode is used to generate branch addresses in the Bcc and BSR instructions. An 8-bit value in byte 2 of the instruction code is added as a sign-extended value to the program counter contents. The result must be an even number. The possible branching range is -126 to +128 bytes (-63 to +64 words) from the current address.
- (8) **Memory Indirect--@@aa:8:** This mode can be used by the JMP and JSR instructions. The second byte of the instruction code specifies an 8-bit absolute address from H'0000 to H'00FF (0 to 255). Note that the initial part of the area from H'0000 to H'00FF contains the exception vector table. See the applicable hardware manual for details. The word located at this address contains the branch address.

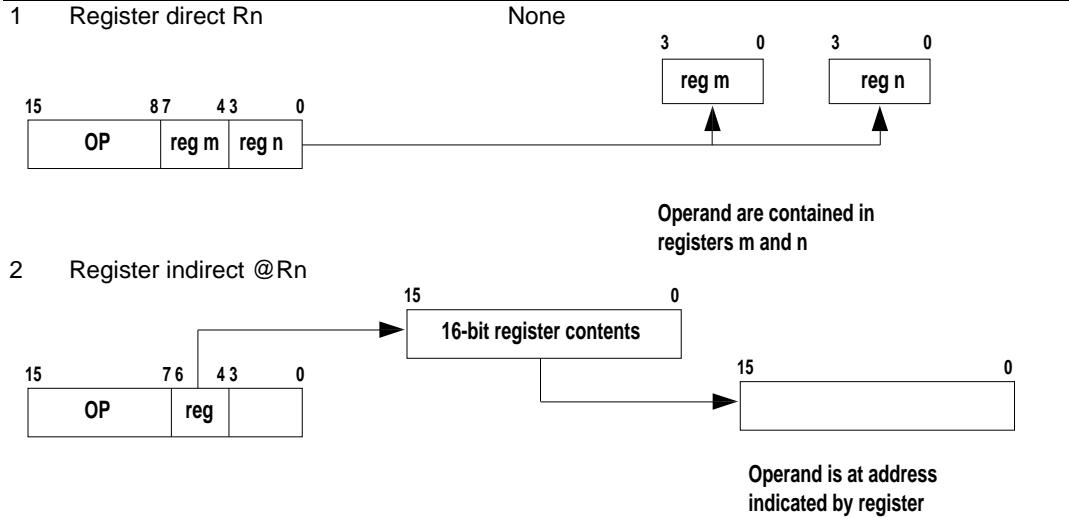
If an odd address is specified as a branch destination or as the operand address of a MOV.W instruction, the least significant bit is regarded as 0, causing word access to be performed at the address preceding the specified address. See the memory data structure description in section 1.1.2, Data Structure.

## Effective Address Calculation

Table 1-11 explains how the effective address is calculated in each addressing mode.

**Table 1-11. Effective Address Calculation (1)**

**No. Addressing mode, instruction format Effective address calculation Effective address**

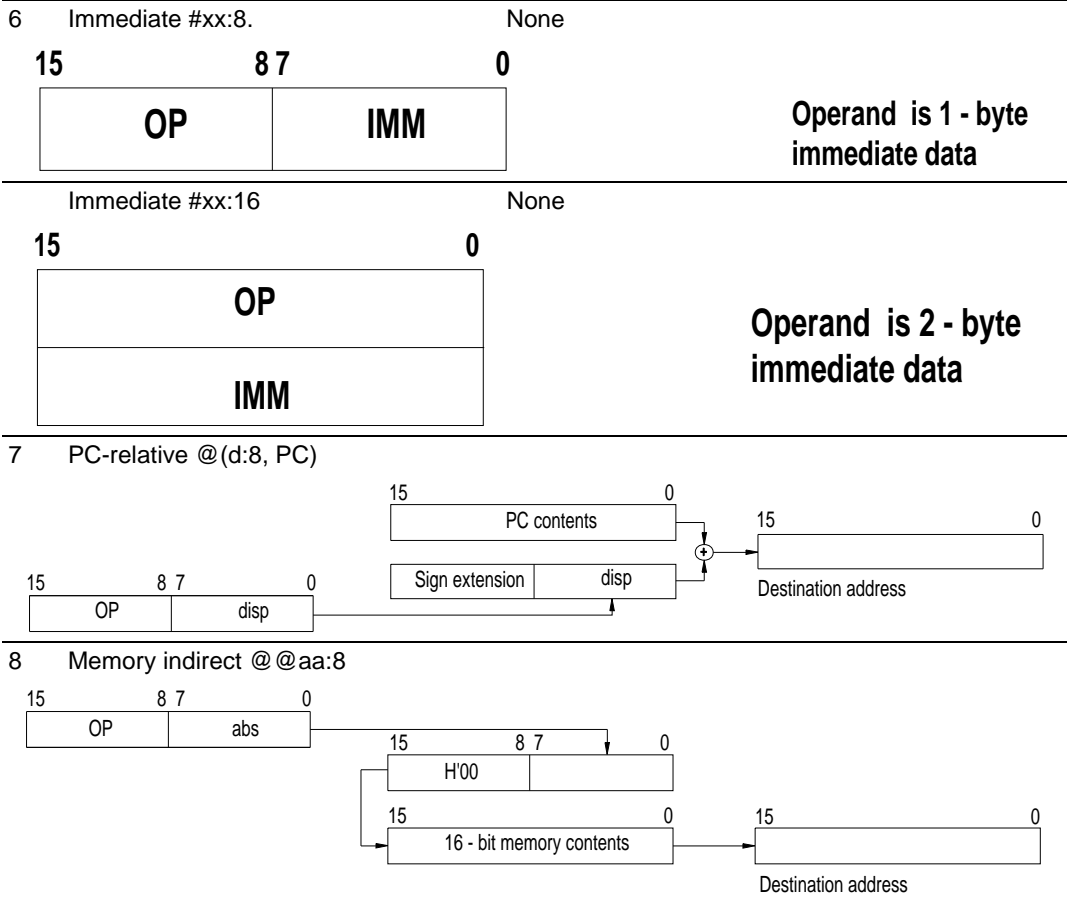


**Table 1-11. Effective Address Calculation (2)**

No.	Addressing mode, instruction format	Effective address calculation	Effective address	
3	Register indirect with displacement @(d:16, Rn)	<p>16-bit register contents</p> <p>16-bit displacement</p> <p>Operand address is sum of register contents and displacement</p>	<p>15 0</p> <p>Operand address is sum of register contents and displacement</p>	
4	Register indirect with pre-decrement @-Rn	<p>16-bit register contents</p> <p>1 or 2*</p> <p>Register is decremented before operand access</p>	<p>15 0</p> <p>Register is decremented before operand access</p>	
	Register indirect with post-increment @-Rn+	<p>16-bit register contents</p> <p>1 or 2*</p> <p>Register is incremented after operand access</p> <p>* 1 for a byte operand, 2 for a word operand</p>	<p>15 0</p> <p>Register is incremented after operand access</p>	
5	Absolute address @aa:8	None	<p>OP abs</p> <p>H'FF</p> <p>Operand address is in range from H'FF00 to H'FFFF</p>	<p>15 8 7 0</p> <p>H'FF</p> <p>Operand address is in range from H'FF00 to H'FFFF</p>
	Absolute address @aa:16		<p>OP abs</p> <p>Any address</p>	<p>15 0</p> <p>Any address</p>

**Table 1-11. Effective Address Calculation (3)**

**No. Addressing mode, instruction format Effective address calculation Effective address**



rag, regm, regn: General register  
 op: Operation field  
 disp: Displacement  
 abs: Absolute address  
 IMM: Immediate data

## Section 2. Instruction Set

### 2.1 Explanation Format

Section 2 gives full descriptions of all the H8/300L Series instructions, presenting them in alphabetic order. Each instruction is explained in a table like the following:

#### **ADD (add binary) (byte)**

#### **Operation**

$Rd + (EAs) \rightarrow Rd$

#### **Assembly-Language Format**

b ADD.B <EAs>, Rd

#### **Operand Size**

Byte

#### **Condition Code**

<b>I</b>	<b>H</b>	<b>N</b>	<b>Z</b>	<b>V</b>	<b>C</b>
—	— Δ	— Δ	Δ	Δ	Δ

I: Previous value remains unchanged.

H: Set to 1 when there is a carry from bit 3; otherwise cleared to 0.

N: Set to 1 when the result is negative; otherwise cleared to 0.

Z: Set to 1 when the result is zero; otherwise cleared to 0.

V: Set to 1 when an overflow occurs; otherwise cleared to 0.

C: Set to 1 when there is a carry from bit 7; otherwise cleared to 0.

#### **Description**

This instruction adds the source operand to the contents of an 8-bit general register and places the result in the general register.

## Instruction Formats and Number of Execution States

Addressing mode	Mnem.	Operands	Instruction code				No. of states
			1st byte	2nd byte	3rd byte	4th byte	
Immediate	ADD.B	#xx:8, Rd	8	rd	IMM		2
Register direct	ADD.B	Rs, Rd	0	8	rs	rd	2

The parts of the table are explained below.

**Name:** The full and mnemonic names of the instruction are given at the top of the page.

**Operation:** The instruction is described in symbolic notation. The following symbols are used.

Symbol	Meaning
Rd	General register (destination)*
Rs	General register (source)*
Rn	General register*
<EAd>	Destination operand
<EAs>	Source operand
PC	Program counter
SP	Stack pointer
CCR	Condition code register
N	N (negative) flag of CCR
Z	Z (zero) flag of CCR
V	V (overflow) flag of CCR
C	C (carry) flag of CCR
disp	Displacement
→	Transfer from left operand to right operand; or state transition from left state to right state.
+	Addition
-	Subtraction
×	Multiplication
÷	Division
^	AND logical
∨	OR logical
⊕	Exclusive OR logical
¬	Inverse logic (logical complement)
( ) < >	Contents of operand effective address

\* General registers are either 8 bits (R0H/R0L - R7H/R7L) or 16 bits (R0 - R7).

### Assembly-Language Format:

The assembly-language coding of the instruction is given. An example is:

```
ADD.   B   <EAs>, Rd
Mnemonic  Size   Source Destination
```

The operand size is indicated by the letter B (byte) or W (word). Some instructions have restrictions on the size of operands they handle.

The abbreviation EAs or EAd (effective address of source or destination) is used for operands that permit more than one addressing mode. The H8/300L CPU supports the following eight addressing modes. The method of calculating effective addresses is explained in section 1.3.4, Addressing Modes and Effective Address Calculation, above.

Notation	Addressing Mode
Rn	Register direct
@Rn	Register indirect
@(d: 16, Rn)	Register indirect with displacement
@Rn+/@ -Rn	Register indirect with post-increment/pre-decrement
@aa:8/@aa:16	Absolute address
#xx:8/#xx:16	Immediate
@(d:8, PC)	Program-counter relative
@@aa:8	Memory indirect

**Operand size:** Word or byte. Byte size is indicated for bit-manipulation instructions because these instructions access a full byte in order to read or write one bit.

**Condition code:** The effect of instruction execution on the flag bits in CCR is indicated. The following notation is used:

Symbol	Meaning
$\Delta$	The flag is altered according to the result of the instruction.
0	The flag is cleared to "0."
–	The flag is not changed.
*	Not fixed; the flag is left in an unpredictable state.

**Description:** The action of the instruction is described in detail.

**Instruction Formats:** Each possible format of the instruction is shown explicitly, indicating the addressing mode, the object code, and the number of states required for execution when the

instruction and its operands are located in on-chip memory. The following symbols are used:

Symbol	Meaning
Imm.	Immediate data (3, 8, or 16 bits)
abs.	An absolute address (8 bits or 16 bits)
disp.	Displacement (8 bits or 16 bits)
rs, rd, rn	General register number (3 bits or 4 bits) The s, d, and n correspond to the letters in the operand notation.

**Register Designation:** 16-bit general registers are indicated by a 3-bit rs, rd, or rn value. 8-bit registers are indicated by a 4-bit rs, rd, or rn value. Address registers used in the @Rn, @(disp:16, Rn), @Rn+, and @-Rn addressing modes are always 16-bit registers. Data registers are 8-bit or 16-bit registers depending on the size of the operand. For 8-bit registers, the lower three bits of rs rd, or rn give the register number. The most significant bit is 1 if the lower byte of the register is used, or 0 if the upper byte is used. Registers are thus indicated as follows:

#### 16-Bit register

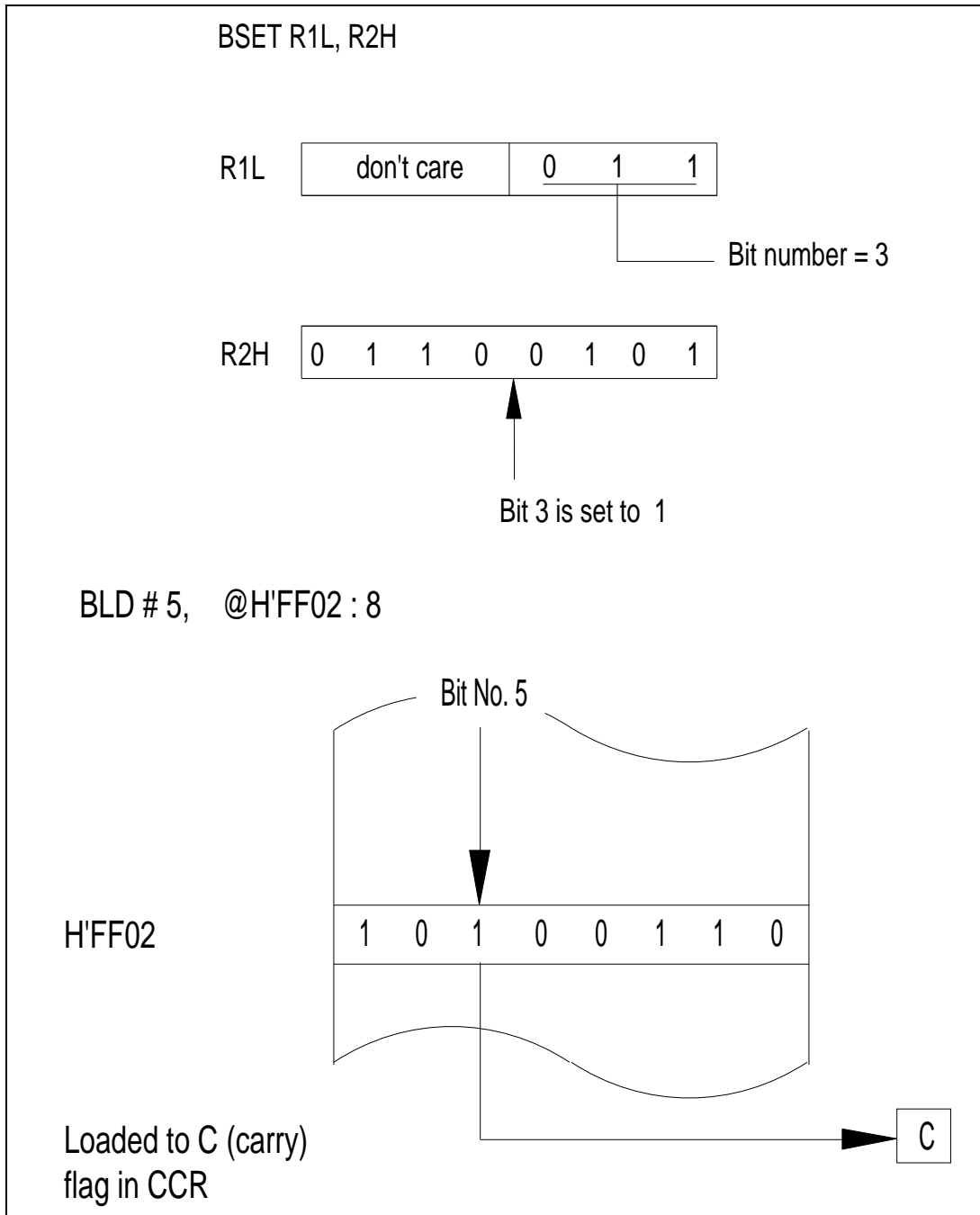
Register	rs, rd, or rn
0 0 0	R0
0 0 1	R1
:	:
1 1 1	R7

#### 8-Bit registers

rs, rd, or rn	Register
0 0 0 0	R0H
0 0 0 1	R1H
:	:
0 1 1 1	R7H
1 0 0 0	R0L
1 0 0 1	R1L
:	:
1 1 1 1	R7L

**Bit Data Access:** Bit data are accessed as the n-th bit of a byte operand in a general register or memory. The bit number is given by 3-bit immediate data, or by a value in a general register. When a bit number is specified in a general register, only the lower three bits of the register are significant. Two examples are shown below.





The addressing mode and operand size apply to the register or memory byte containing the bit.

**Number of States Required for Execution:** The number of states indicated is the number required when the instruction and any memory operands are located in on-chip ROM or RAM. If

the instruction or an operand is located in external memory or the on-chip register field, additional states are required for each access. See section 2.5, Number of Execution States.

## 2.2 Instructions

### 2.2.1(1) ADD (add binary) (byte)

#### Operation

Rd+ (EAs) → Rd

#### Assembly-Language Format

ADD.B <EAs>, Rd

#### Operand Size

Byte

#### Condition Code

I	H	N	Z	V	C
—	Δ	—	Δ	Δ	Δ

I: Previous value remains unchanged.

H: Set to 1 when there is a carry from bit 3; otherwise cleared to 0.

N: Set to 1 when the result is negative; otherwise cleared to 0.

Z: Set to 1 when the result is zero; otherwise cleared to 0.

V: Set to 1 when an overflow occurs; otherwise cleared to 0.

C: Set to 1 when there is a carry from bit 7; otherwise cleared to 0.

#### Description

This instruction adds the source operand to the contents of an 8-bit general register and places the result in the general register.

#### Instruction Formats and Number of Execution States

Addressing mode	Mnem.	Operands	Instruction code				No. of states
			1st byte	2nd byte	3rd byte	4th byte	
Immediate	ADD.B	#xx:8, Rd	8	rd	IMM		2
Register direct	ADD B	Rs, Rd	0	8	rs	rd	2

## 2.2.1 (2) ADD (add binary) (word)

### Operation

$Rd + Rs \rightarrow Rd$

### Assembly-Language Format

ADD.W Rs, Rd

### Operand Size

Word

### Condition Code

I	H	N	Z	V	C
—	—	Δ	—	Δ	Δ

- I: Previous value remains unchanged.  
H: Set to 1 when there is a carry from bit 11; otherwise cleared to 0.  
N: Set to 1 when the result is negative; otherwise cleared to 0.  
Z: Set to 1 when the result is zero; otherwise cleared to 0.  
V: Set to 1 when an overflow occurs; otherwise cleared to 0.  
C: Set to 1 when there is a carry from bit 15; otherwise cleared to 0.

### Description

This instruction adds word data in two general registers and places the result in the second general register.

### Instruction Formats and Number of Execution States

Addressing mode	Mnem.	Operands	Instruction code				No. of states
			1st byte	2nd byte	3rd byte	4th byte	
Register direct	ADD.W	Rs, Rd	0 9	0 rs	0 rd	2	

## 2.2.2 ADDS (add with sign extension)

### Operation

Rd+1 → Rd

Rd+2 → Rd

### Assembly-Language Format

```
ADDS #1, Rd
```

```
ADDS #2, Rd
```

### Operand Size

Word

### Condition Code

I	H	N	Z	V	C
—	—	—	—	—	—
I:	Previous value remains unchanged.				
H:	Previous value remains unchanged.				
N:	Previous value remains unchanged.				
Z:	Previous value remains unchanged.				
V:	Previous value remains unchanged.				
C:	Previous value remains unchanged.				

### Description

This instruction adds the immediate value 1 or 2 to word data in a general register. Unlike the ADD instruction, it does not affect the condition code flags.

### Instruction Formats and Number of Execution States

Addressing mode	Mnem.	Operands	Instruction code				No of states
			1st byte	2nd byte	3rd byte	4th byte	
Register direct	ADDS	#1, Rd	0 B	0 0	rd	2	
Register direct	ADDS	#2, Rd	0 B	8 0	rd	2	

Note: This instruction cannot access byte-size data.

### 2.2.3 ADDX (add with extend carry)

#### Operation

$Rd+(EAs)+C \rightarrow Rd$

#### Assembly-Language Format

ADDX <EAs>, Rd

#### Operand Size

Byte

#### Condition Code

I	H	N	Z	V	C
—	— Δ	— Δ	Δ	Δ	Δ

I: Previous value remains unchanged.

H: Set to 1 if there is a carry from bit 3; otherwise cleared to 0.

N: Set to 1 when the result is negative; otherwise cleared to 0.

Z: Set to 1 when the result is zero; otherwise cleared to 0.

V: Set to 1 when an overflow occurs; otherwise cleared to 0.

C: Set to 1 when there is a carry from bit 7; otherwise cleared to 0.

#### Description

This instruction adds the source operand and carry flag to the contents of an 8-bit general register and places the result in the general register.

#### Instruction Formats and Number of Execution States

Addressing mode	Mnem.	Operands	Instruction code				No of states
			1 st byte	2nd byte	3rd byte	4th byte	
Immediate	ADDX	#xx:8, Rd	9	rd	IMM	2	
Register direct	ADDX	Rs, Rd	0	E rs	rd	2	

## 2.2.4 AND (AND logical)

### Operation

$Rd \wedge (EAs) \rightarrow Rd$

### Assembly-Language Format

AND <EAs>, Rd

### Operand Size

Byte

### Condition Code

<b>I</b>	<b>H</b>	<b>N</b>	<b>Z</b>	<b>V</b>	<b>C</b>
—	—	—	Δ	Δ	0
—	—	—	Δ	Δ	0

I: Previous value remains unchanged.

H: Previous value remains unchanged.

N: Set to 1 when the result is negative; otherwise cleared to 0.

Z: Set to 1 when the result is zero; otherwise cleared to 0.

V: Cleared to 0.

C: Previous value remains unchanged.

### Description

This instruction ANDs the source operand with the contents of an 8-bit general register and places the result in the general register.

### Instruction Formats and Number of Execution States

Addressing mode	Mnem.	Operands	Instruction code				No of states
			1st byte	2nd byte	3rd byte	4th byte	
Immediate	AND	#xx:8, Rd	E	rd	IMM		2
Register direct	AND	Rs, Rd	1	6	rs	rd	2

## 2.2.5 ANDC (AND control register)

### Operation

CCR  $\wedge$  #IMM  $\rightarrow$  CCR

### Assembly-Language Format

ANDC #xx:8, CCR

### Operand Size

Byte

### Condition Code

I	H		N		Z	V	C
$\Delta$	$\Delta$	$\Delta$	$\Delta$	$\Delta$	$\Delta$	$\Delta$	$\Delta$
I:	ANDed with bit 7 of the immediate data.						
H:	ANDed with bit 5 of the immediate data.						
N:	ANDed with bit 3 of the immediate data.						
Z:	ANDed with bit 2 of the immediate data.						
V:	ANDed with bit 1 of the immediate data.						
C:	ANDed with bit 0 of the immediate data.						

### Description

This instruction ANDs the condition code register (CCR) with immediate data and places the result in the condition code register. Bits 6 and 4 are ANDed as well as the flag bits.

No interrupt requests are accepted immediately after this instruction. All interrupts, including the nonmaskable interrupt (NMI), are deferred until after the next instruction.

### Instruction Formats and Number of Execution States

Addressing mode	Mnem.	Operands	Instruction code				No of states
			1st byte	2nd byte	3rd byte	4th byte	
Immediate	ANDC	#xx:8, CCR	0	6	IMM	2	

## 2.2.6 BAND (bit AND)

### Operation

$C \wedge (\text{Bit No. of } \langle \text{EAd} \rangle) \rightarrow C$

### Assembly-Language Format

BAND #xx:3, <EAd>

### Operand Size

Byte

### Condition Code

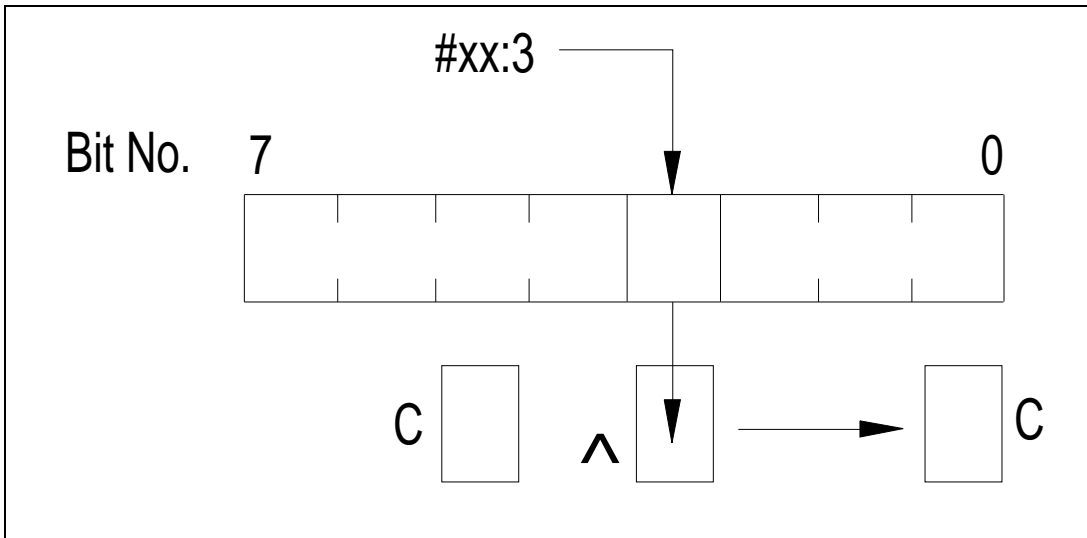
I	H	N	Z	V	C
—	—	—	—	—	Δ

I: Previous value remains unchanged.  
H: Previous value remains unchanged.  
N: Previous value remains unchanged.  
Z: Previous value remains unchanged.  
V: Previous value remains unchanged.  
C: ANDed with the specified bit.

### Description

This instruction ANDs a specified bit with the carry flag and places the result in the carry flag. The specified bit can be located in a general register or memory. The bit number is specified by 3-bit immediate data. The operation is shown schematically below.





<EAd>\* → Byte data in register or memory

The value of the specified bit is not changed.

#### Instruction Formats and Number of Execution States

Addressing mode	Mnem.	Operands	Instruction code								No of states		
			1st byte	2nd byte	3rd byte	4th byte							
Register direct	BAND	#xx:3, Rd	7	6	0	IMM	rd					2	
Register indirect	BAND	#xx:3,@Rd	7	C	0	rd	0	7	6	0	IMM	0	6
Absolute address	BAND	#xx:3,@aa:8	7	E	abs		7	6	0	IMM	0	6	

\* Register direct, register indirect, or absolute addressing.

### 2.2.7 Bcc (branch conditionally)

#### Operation

If cc then PC+d:8 → PC else next;

#### Assembly-Language Format

Bcc →d:8

#### Condition code field

(For mnemonics, see the table on the next page.)

#### Operand Size

—

#### Condition Code

I	H	N	Z	V	C
—	—	—	—	—	—
I:	Previous value remains unchanged.				
H:	Previous value remains unchanged.				
N:	Previous value remains unchanged.				
Z:	Previous value remains unchanged.				
V:	Previous value remains unchanged.				
C:	Previous value remains unchanged.				

#### Description

If the specified condition is false, this instruction does nothing; the next instruction is executed. If the specified condition is true, a signed displacement is added to the address of the next instruction and execution branches to the resulting address.

The displacement is a signed 8-bit value which must be even. The branch destination address can be located in the range – 126 to + 128 bytes from the address of the Bcc instruction.

The applicable conditions and their mnemonics are given below.

<b>Mnemonic</b>	<b>cc Field</b>	<b>Description</b>	<b>Condition</b>	<b>Meaning</b>
BRA (BT)	0 0 0 0	Always (True)	Always true	
BRN (BF)	0 0 0 1	Never (False)	Never	
BHI	0 0 1 0	High	$C \vee Z = 0$	$X > Y$ (Unsigned)
BLS	0 0 1 1	Low or Same	$C \vee Z = 1$	$X \leq Y$ (Unsigned)
BCC (BHS)	0 1 0 0	Carry Clear (High or Same)	$C = 0$	$X \geq Y$ (Unsigned)
BCS (BLO)	0 1 0 1	Carry Set (Low)	$C = 1$	$X < Y$ (Unsigned)
BNE	0 1 1 0	Not Equal	$Z = 0$	$X \neq Y$ (Signed or unsigned)
BEQ	0 1 1 1	Equal	$Z = 1$	$X = Y$ (Signed or unsigned)
BVC	1 0 0 0	Overflow Clear	$V = 0$	
BVS	1 0 0 1	Overflow Set	$V = 1$	
BPL	1 0 1 0	Plus	$N = 0$	
BMI	1 0 1 1	Minus	$N = 1$	
BGE	1 1 0 0	Greater or Equal	$N \oplus V = 0$	$X \geq Y$ (Signed)
BLT	1 1 0 1	Less Than	$N \oplus V = 1$	$X < Y$ (Signed)
BGT	1 1 1 0	Greater Than	$Z \vee (N \oplus V) = 0$	$X > Y$ (Signed)
BLE	1 1 1 1	Less or Equal	$Z \vee (N \oplus V) = 1$	$X \leq Y$ (Signed)

BT, BF, BHS, and BLO are synonyms for BRA, BRN, BCC, and BCS, respectively.

## Instruction Formats and Number of Execution States

Addressing mode	Mnem.	Operands	Instruction code				No of states
			1st byte	2nd byte	3rd byte	4th byte	
PC relative	BRA (BT)	d:8	4	0	disp.		4
PC relative	BRN (BF)	d:8	4	1	disp.		4
PC relative	BHI	d:8	4	2	disp.		4
PC relative	BLS	d:8	4	3	disp.		4
PC relative	BCC (BHS)	d:8	4	4	disp.		4
PC relative	BCS (BLO)	d:8	4	5	disp.		4
PC relative	BNE	d:8	4	6	disp.		4
PC relative	BEQ	d:8	4	7	disp.		4
PC relative	BVC	d:8	4	8	disp.		4
PC relative	BVS	d:8	4	9	disp.		4
PC relative	BPL	d:8	4	A	disp.		4
PC relative	BMI	d:8	4	B	disp.		4
PC relative	BGE	d:8	4	C	disp.		4
PC relative	BLT	d:8	4	D	disp.		4
PC relative	BGT	d:8	4	E	disp.		4
PC relative	BLE	d:8	4	F	disp.		4

\* The branch address must be even.

## 2.2.8 BCLR (bit clear)

### Operation

0 → (<Bit No.> of <EAd>)

### Assembly-Language Format

```
BCLR #xx:3, <EAd>
```

```
BCLR Rn, <EAd>
```

### Operand Size

Byte

### Condition Code

I	H	N	Z	V	C
—	—	—	—	—	—

I: Previous value remains unchanged.

H: Previous value remains unchanged.

N: Previous value remains unchanged.

Z: Previous value remains unchanged.

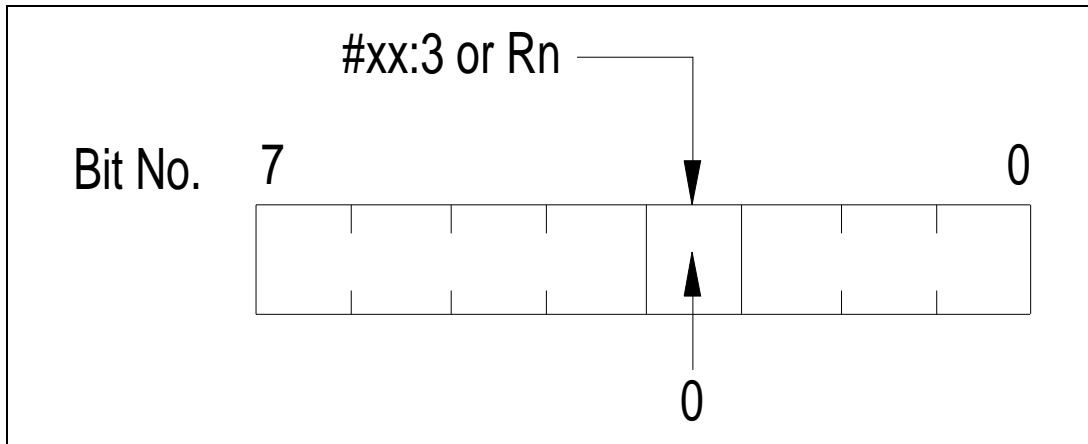
V: Previous value remains unchanged.

C: Previous value remains unchanged.

### Description

This instruction clears a specified bit in the destination operand to 0. The bit number can be specified by 3-bit immediate data, or by the lower three bits of an 8-bit general register. The destination operand can be located in a general register or memory.

The specified bit is not tested before being cleared. The condition code flags are not altered.



<EAd>\* → Byte data in register or memory

\* Register direct, register indirect, or absolute addressing.

### Instruction Formats and Number of Execution States

Addressing mode	Mnem.	Operands	Instruction code								No of states		
			1st byte	2nd byte	3rd byte	4th byte							
Register direct	BCLR	#xx:3, Rd	7	2	0	IMM	rd					2	
Register indirect	BCLR	#xx:3 @Rd	7	D	0	rd	0	7	2	0	IMM	0	8
Absolute address	BCLR	#xx:3,@aa: 8	7	F		abs		7	2	0	IMM	0	8
Register direct	BCLR	Rn, Rd	6	2		rn	rd						2
Register indirect	BCLR	Rn, @Rd	7	D	0	rd	0	6	2	rn	0		8
Absolute address	BCLR	Rn, @aa:8	7	F		abs		6	2	rn	0		8

### 2.2.9 BIAND (bit invert AND)

#### Operation

$C \wedge [\neg(\text{<Bit No.> of <EAd>})] \rightarrow C$

#### Assembly-Language Format

BIAND #xx:3, <EAd>

#### Operand Size

Byte

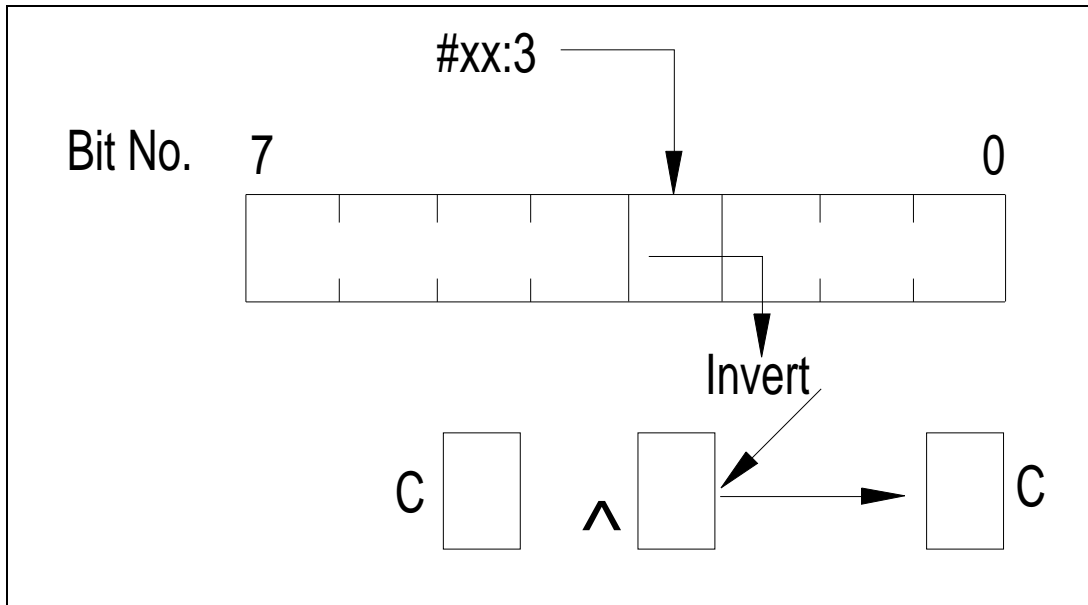
#### Condition Code

I	H	N	Z	V	C
—	—	—	—	—	Δ

- I: Previous value remains unchanged.
- H: Previous value remains unchanged.
- N: Previous value remains unchanged.
- Z: Previous value remains unchanged.
- V: Previous value remains unchanged.
- C: ANDed with the inverse of the specified bit.

#### Description

This instruction ANDs the inverse of a specified bit with the carry flag and places the result in the carry flag. The specified bit can be located in a general register or memory. The bit number is specified by 3-bit immediate data. The operation is shown schematically below.



<EAd>\* → Byte data in register or memory

The value of the specified bit is not changed.

#### Instruction Formats and Number of Execution States

Addressing mode	Mnem.	Operands	Instruction code								No of states			
			1st byte	2nd byte	3rd byte	4th byte								
Register direct	BIAND	#xx:3, Rd	7	6	1	IMM	rd							2
Register indirect	BIAND	#xx:3,@Rd	7	C	0	rd	0	7	6	1	IMM	0	6	
Absolute address	BIAND	#xx:3,@aa:8	7	E		abs	7	6	1	IMM	0	6		

\* Register direct, register indirect, or absolute addressing.



## 2.2.10 BILD (bit invert load)

### Operation

$\neg(\text{<Bit No.> of <EAd>}) \rightarrow C$

### Assembly-Language Format

```
BILD #xx:3, <EAd>
```

### Operand Size

Byte

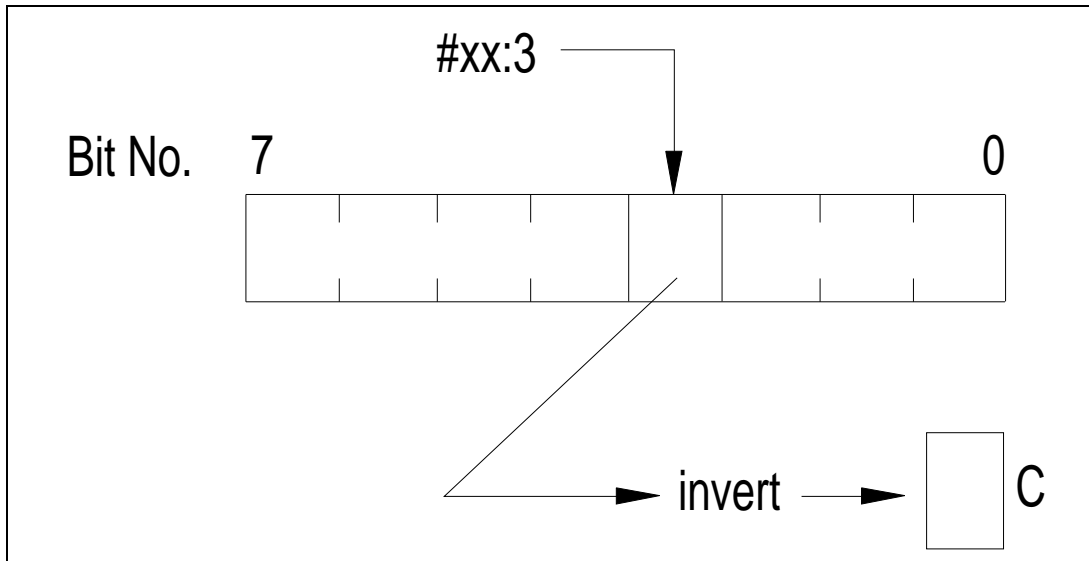
### Condition Code

I	H	N	Z	V	C
—	—	—	—	—	Δ

- I: Previous value remains unchanged.
- H: Previous value remains unchanged.
- N: Previous value remains unchanged.
- Z: Previous value remains unchanged.
- V: Previous value remains unchanged.
- C: Loaded with the inverse of the specified bit.

### Description

This instruction loads the inverse of a specified bit into the carry flag. The specified bit can be located in a general register or memory. The bit number is specified by 3-bit immediate data. The operation is shown schematically below.



<EAd>\* → Byte data in register or memory

The value of the specified bit is not changed.

#### Instruction Formats and Number of Execution States

Addressing mode	Mnem.	Operands	Instruction code										No of states			
			1st byte	2nd byte	3rd byte	4th byte										
Register direct	BILD	#xx:3, Rd	7	7	1	IMM	rd									2
Register indirect	BILD	#xx:3, @Rd	7	C	0	rd	0	7	7	1	IMM	0				6
Absolute address	BILD	#xx:3, @aa:8	7	E		abs		7	7	1	IMM	0				6

\* Register direct, register indirect, or absolute addressing.

## 2.2.11 BIOR (bit invert inclusive OR)

### Operation

$C \vee [\neg (\text{<Bit No.> of <EAd>}) \rightarrow C$

### Assembly-Language Format

BIOR #xx:3, <EAd>

### Operand Size

Byte

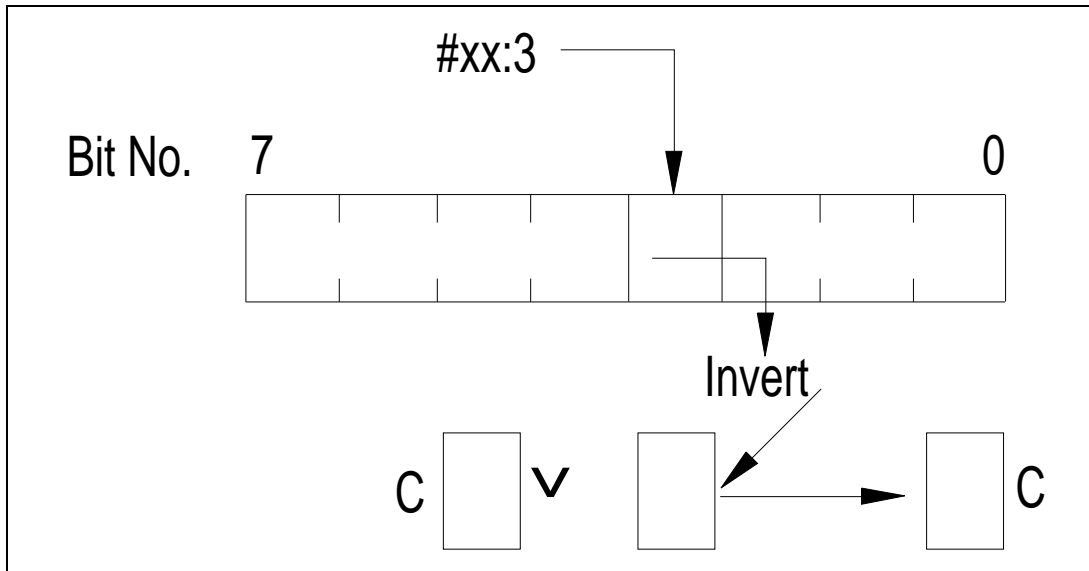
### Condition Code

I	H	N	Z	V	C
—	—	—	—	—	Δ

- I: Previous value remains unchanged.
- H: Previous value remains unchanged.
- N: Previous value remains unchanged.
- Z: Previous value remains unchanged.
- V: Previous value remains unchanged.
- C: ORed with the inverse of the specified bit.

### Description

This instruction ORs the inverse of a specified bit with the carry flag and places the result in the carry flag. The specified bit can be located in a general register or memory. The bit number is specified by 3-bit immediate data. The operation is shown schematically below.



<EAd>\* → Byte data in register or memory

The value of the specified bit is not changed.

#### Instruction Formats and Number of Execution States

Addressing mode	Mnem.	Operands	Instruction code								No of states			
			1st byte		2nd byte		3rd byte		4th byte					
Register direct	BIOR	#xx:3, Rd	7	4	1	IMM	rd							2
Register indirect	BIOR	#xx:3,@Rd	7	C	0	rd	0	7	4	1	IMM	0	6	6
Absolute address	BIOR	#xx:3,@aa:8	7	E		abs		7	4	1	IMM	0	6	6

\* Register direct, register indirect, or absolute addressing.

## 2.2.12 BIST (bit invert store)

### Operation

$\neg C \rightarrow (\text{<Bit No.> of <EAd>})$

### Assembly-Language Format

```
BIST #xx:3, <EAd>
```

### Operand Size

Byte

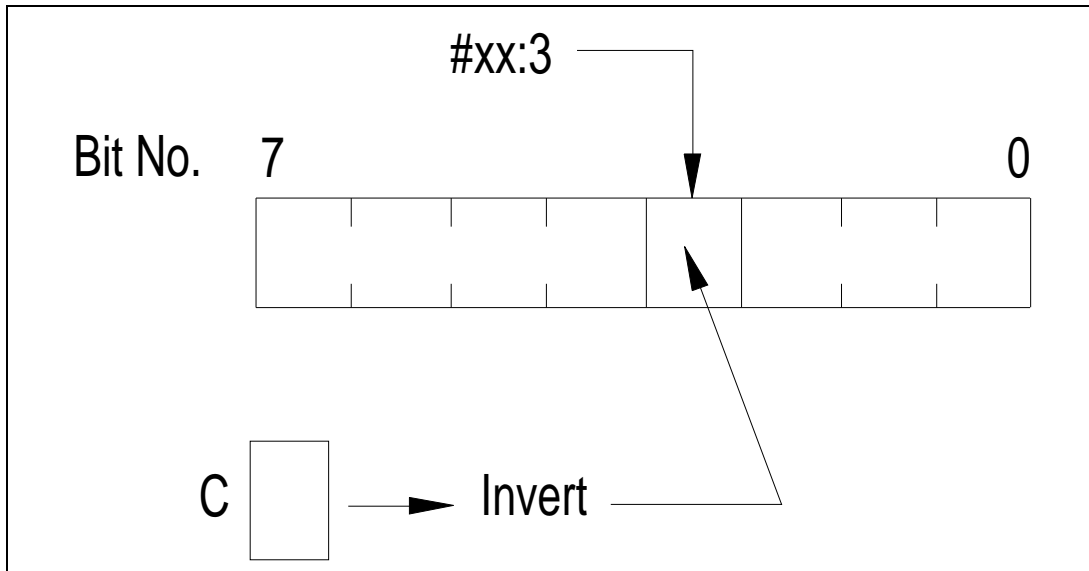
### Condition Code

I	H	N	Z	V	C
—	—	—	—	—	—

I: Previous value remains unchanged.  
H: Previous value remains unchanged.  
N: Previous value remains unchanged.  
Z: Previous value remains unchanged.  
V: Previous value remains unchanged.  
C: Previous value remains unchanged.

### Description

This instruction stores the inverse of the carry flag to a specified bit location in a general register or memory. The bit number is specified by 3-bit immediate data. The operation is shown schematically below.



<EAd>\* → Byte data in register or memory

The values of the unspecified bits are not changed.

#### Instruction Formats and Number of Execution States

Addressing mode	Mnem.	Operands	Instruction code								No of states			
			1st byte	2nd byte	3rd byte	4th byte								
Register direct	BIST	#xx:3, Rd	6	7	1	IMM	rd							2
Register indirect	BIST	#xx:3, @Rd	7	D	0	rd	0	6	7	1	IMM	0	8	8
Absolute address	BIST	#xx:3, @aa:8	7	F		abs	6	7	1	IMM	0	8	8	8

\* Register direct, register indirect, or absolute addressing.

## 2.2.13 BIXOR (bit invert exclusive OR)

### Operation

$C \oplus [\leftarrow (\text{Bit No.} \text{ of } \langle \text{EAd} \rangle)] \rightarrow C$

### Assembly-Language Format

```
BIXOR #xx:3, <EAd>
```

### Operand Size

Byte

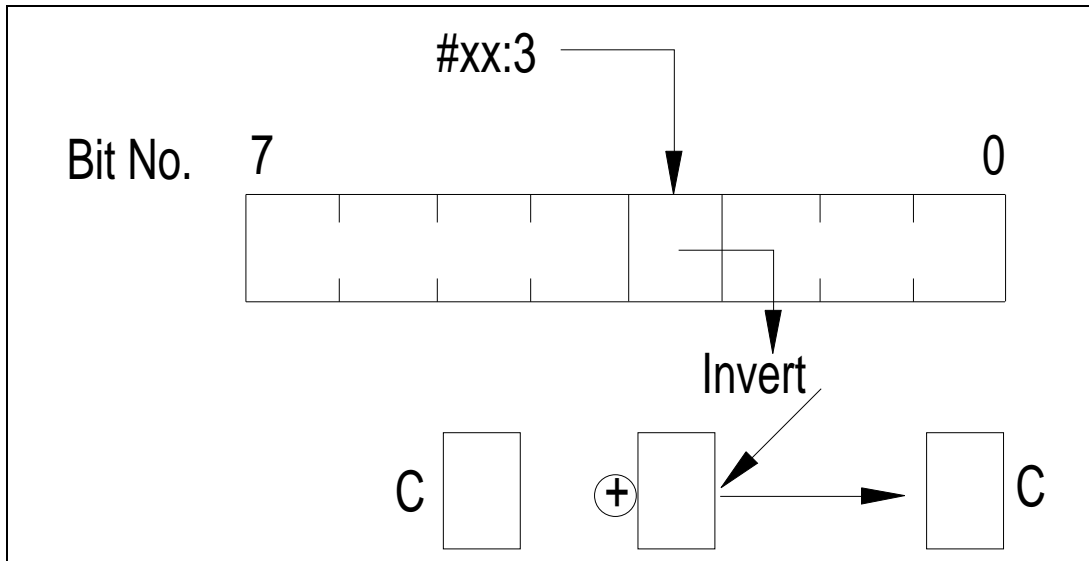
### Condition Code

I	H	N	Z	V	C
—	—	—	—	—	Δ

- I: Previous value remains unchanged.
- H: Previous value remains unchanged.
- N: Previous value remains unchanged.
- Z: Previous value remains unchanged.
- V: Previous value remains unchanged.
- C: Exclusive-ORed with the inverse of the specified bit.

### Description

This instruction exclusive-ORs the inverse of a specified bit with the carry flag and places the result in the carry flag. The specified bit can be located in a general register or memory. The bit number is specified by 3-bit immediate data. The operation is shown schematically below.



<EAd>\* → Byte data in register or momory

The value of the specified bit is not changed.

#### Instruction Formats and Number of Execution States

Addressing mode	Mnem.	Operands	Instruction code								No of states			
			1st byte	2nd byte	3rd byte	4th byte								
Register direct	BIXOR	#xx:3, Rd	7	5	1	IMM	rd							2
Register indirect	BIXOR	#xx:3, @Rd	7	C	0	rd	0	7	5	1	IMM	0	6	6
Absolute address	BIXOR	#xx:3, @aa:8	7	E		abs	7	5	1	IMM	0	6	6	

\* Register direct, register indirect, or absolute addressing.



## 2.2.14 BLD (bit load)

### Operation

(<Bit No.> of <EAd>) → C

### Assembly-Language Format

```
BLD #xx:3, <EAd>
```

### Operand Size

Byte

### Condition Code

I	H	N	Z	V	C
—	—	—	—	—	Δ

I: Previous value remains unchanged.

H: Previous value remains unchanged.

N: Previous value remains unchanged.

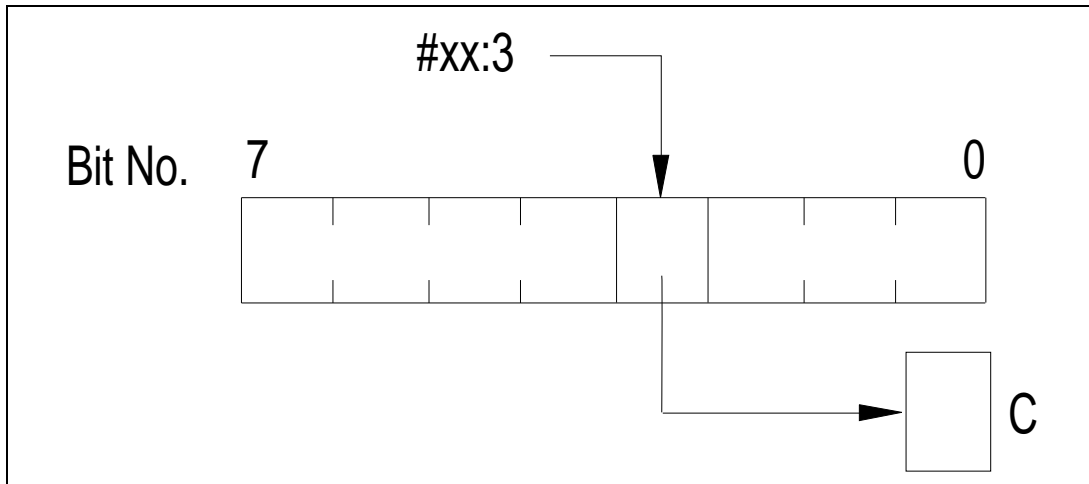
Z: Previous value remains unchanged.

V: Previous value remains unchanged.

C: Loaded with the specified bit.

### Description

This instruction loads a specified bit into the carry flag. The specified bit can be located in a general register or memory. The bit number is specified by 3-bit immediate data. The operation is shown schematically below. The value of the specified bit is not changed.



<Ead>\* → Byte data in register or memory

The value of the specified bit is not changed

### Instruction Formats and Number of Execution States

Addressing mode	Mnem.	Operands	Instruction code								No of states		
			1st byte	2nd byte	3rd byte	4th byte	5th byte	6th byte	7th byte	8th byte			
Register direct	BLD	#xx:3, Rd	7	7	0	IMM	rd						2
Register indirect	BLD	#xx:3, @Rd	7	C	0	rd	0	7	7	0	IMM	0	6
Absolute address	BLD	#xx:3, @aa:8	7	E		abs	7	7	0	IMM	0	6	

\* Register direct, register indirect, or absolute addressing.

## 2.2.15 BNOT (bit NOT)

### Operation

$\neg$  (<Bit No.> of <EAd>)

$\rightarrow$  (<Bit No.> of <EAd>)

### Assembly-Language Format

```
BNOT #xx:3, <EAd>
```

```
BNOT Rn, <EAd>
```

### Operand Size

Byte

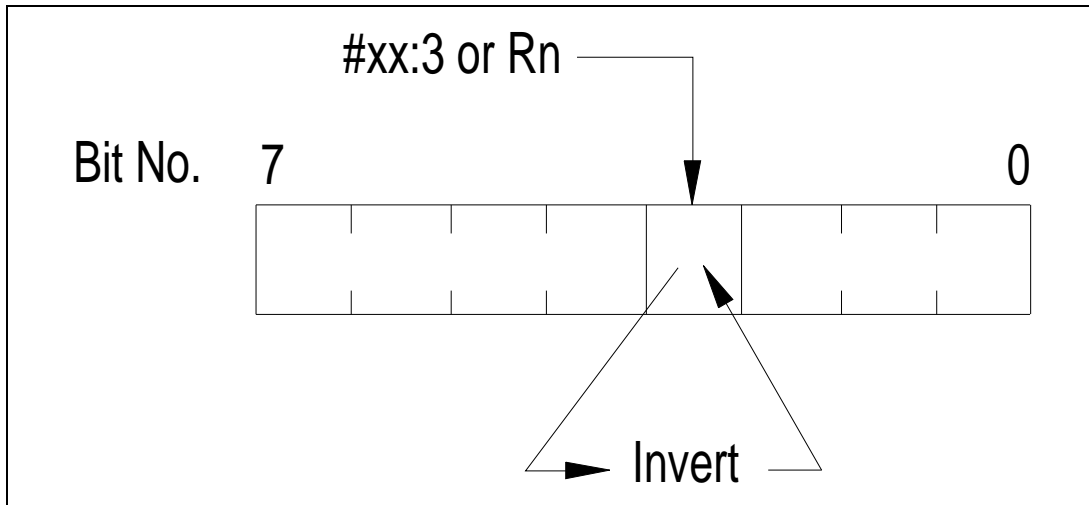
### Condition Code

I	H	N	Z	V	C
—	—	—	—	—	—

I: Previous value remains unchanged.  
H: Previous value remains unchanged.  
N: Previous value remains unchanged.  
Z: Previous value remains unchanged.  
V: Previous value remains unchanged.  
C: Previous value remains unchanged.

### Description

This instruction inverts a specified bit in a general register or memory location. The bit number is specified by 3-bit immediate data, or by the lower three-bits of a general register. The operation is shown schematically below.



<EAd>\* → Byte data in register or memory

The bit is not tested before being inverted. The condition code flags are not altered.

\* Register direct, register indirect, or absolute addressing.

#### Instruction Formats and Number of Execution States

Addressing mode	Mnem.	Operands	Instruction code								No of states		
			1st byte	2nd byte	3rd byte	4th byte							
Register direct	BNOT	#xx:3, Rd	7	1	0	IMM	rd					2	
Register indirect	BNOT	#xx:3, @Rd	7	D	0	rd	0	7	1	0	IMM	0	8
Absolute address	BNOT	#xx:3, @aa:8	7	F	abs		7	1	0	IMM	0	8	
Register direct	BNOT	Rn, Rd	6	1	rn	rd					2		
Register indirect	BNOT	Rn, @Rd	7	D	0	rd	0	6	1	rn	0	8	
Absolute address	BNOT	Rn, @aa:8	7	F	abs		6	1	rn	0	8		

## 2.2.16 BOR (bit inclusive OR)

### Operation

$C \vee (\text{<Bit No.>of <EAd>}) \rightarrow C$

### Assembly-Language Format

BOR #xx:3, <EAd>

### Operand Size

Byte

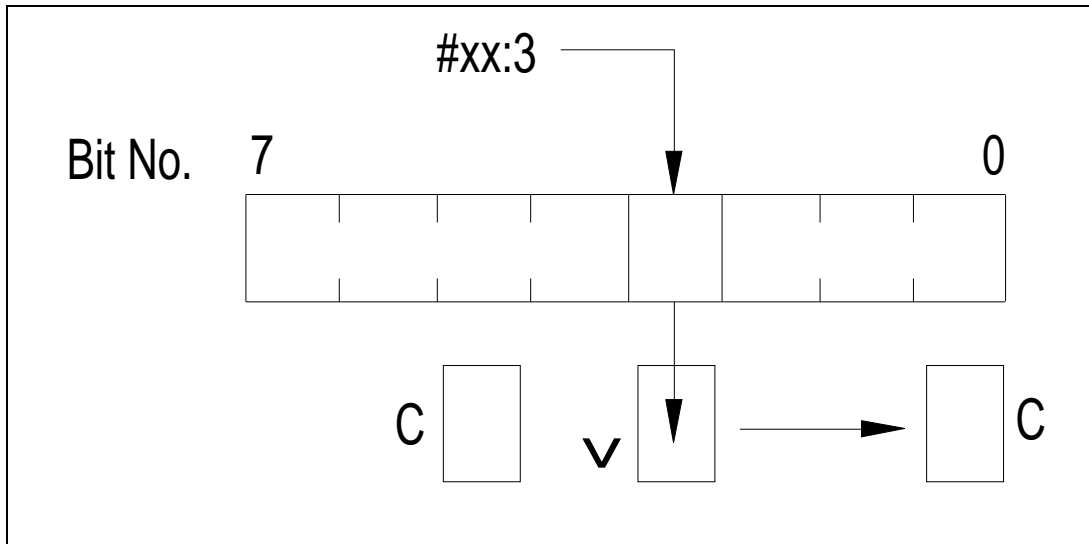
### Condition Code

I	H	N	Z	V	C
—	—	—	—	—	Δ

- I: Previous value remains unchanged.
- H: Previous value remains unchanged.
- N: Previous value remains unchanged.
- Z: Previous value remains unchanged.
- V: Previous value remains unchanged.
- C: ORed with the specified bit.

### Description

This instruction ORs a specified bit with the carry flag and places the result in the carry flag. The specified bit can be located in a general register or memory. The bit number is specified by 3-bit immediate data. The operation is shown schematically below.



<EAd>\* → Byte data in register or memory

The value of the specified bit is not changed.

#### Instruction Formats and Number of Execution States

Addressing mode	Mnem.	Operands	Instruction code								No of states			
			1st byte	2nd byte	3rd byte	4th byte								
Register direct	BOR	#xx:3, Rd	7	4	0	IMM	rd							2
Register indirect	BOR	#xx:3, @Rd	7	C	0	rd	0	7	4	0	IMM	0	6	6
Absolute address	BOR	#xx:3, @aa:8	7	4		abs	7	4	0	IMM	0	6	6	

\* Register direct, register indirect, or absolute addressing.

## 2.2.17 BSET (bit set)

### Operation

1 → (<Bit No.> of <EAd>)

### Assembly-Language Format

```
BEST #xx:3, <EAd>
```

```
BEST Rn, <EAd>
```

### Operand Size

Byte

### Condition Code

I	H	N	Z	V	C
—	—	—	—	—	—

I: Previous value remains unchanged.

H: Previous value remains unchanged.

N: Previous value remains unchanged.

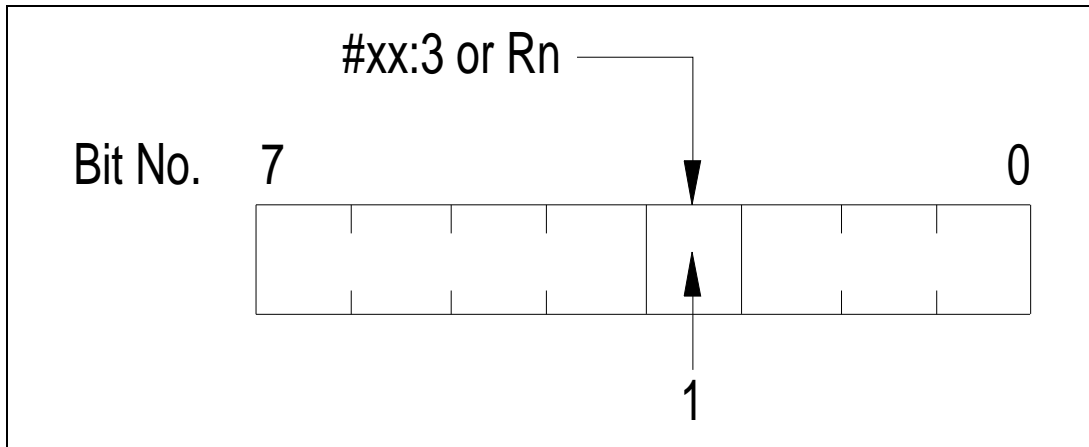
Z: Previous value remains unchanged.

V: Previous value remains unchanged.

C: Previous value remains unchanged.

### Description

This instruction sets a specified bit in the destination operand to 1. The bit number can be specified by 3-bit immediate data, or by the lower three-bits of an 8-bit general register. The destination operand can be located in a general register or memory. The specified bit is not tested before being cleared. The condition code flags are not altered.



<EAd>\* → Byte data i register or momory

\* Register direct, register indirect, or absolute addressing.

### Instruction Formats and Number of Execution States

Addressing mode	Mnem.	Operands	Instruction code								No. of states		
			1st byte	2nd byte	3rd byte	4th byte	5th byte	6th byte	7th byte	8th byte			
Register direct	BSET	#xx:3, Rd	7	0	0	IMM	rd						2
Register indirect	BSET	#xx:3, @Rd	7	D	0	rd	0	7	0	0	IMM	0	8
Absolute address	BSET	#xx:3, @aa:8	7	F		abs		7	0	0	IMM	0	8
Register direct	BSET	Rn, Rd	6	0	rn	rd							2
Register indirect	BSET	Rn, @Rd	7	D	0	rd	0	6	0	rn	0		8
Absolute address	BSET	Rn, @aa:8	7	F		abs		6	0	rn	0		8



## 2.2.18 BSR (branch to subroutine)

### Operation

PC → @-SP

PC + d:8 → PC

### Assembly-Language Format

BSR d:8

### Operand Size

—

### Condition Code

I	H	N	Z	V	C
—	—	—	—	—	—
I:	Previous value remains unchanged.				
H:	Previous value remains unchanged.				
N:	Previous value remains unchanged.				
Z:	Previous value remains unchanged.				
V:	Previous value remains unchanged.				
C:	Previous value remains unchanged.				

### Description

This instruction pushes the program counter (PC) value onto the stack, then adds a specified displacement to the program counter value and branches to the resulting address. The program counter value used is the address of the instruction following the BSR instruction.

The displacement is a signed 8-bit value which must be even. The possible branching range is –126 to +128 bytes from the address of the BSR instruction.

### Instruction Formats and Number of Execution States

Addressing mode	Mnem.	Operands	Instruction code				No of states
			1st byte	2nd byte	3rd byte	4th byte	
PC-relative	BSR	d:8	5	5	disp	6	

### 2.2.19 BST (bit store)

#### Operation

C → (<Bit No.> of <EAd>)

#### Assembly-Language Format

BST #xx:3, <EAd>

#### Operand Size:

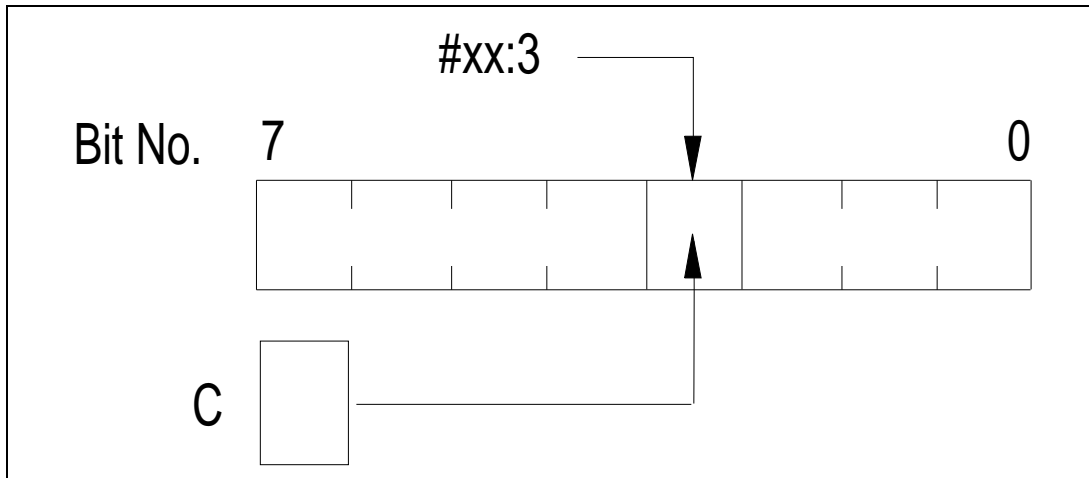
Byte

#### Condition Code

I	H	N	Z	V	C
—	—	—	—	—	—
I:	Previous value remains unchanged.				
H:	Previous value remains unchanged.				
N:	Previous value remains unchanged.				
Z:	Previous value remains unchanged.				
V:	Previous value remains unchanged.				
C:	Previous value remains unchanged.				

#### Description

This instruction stores the carry flag to a specified flag location in a general register or memory. The bit number is specified by 3-bit immediate data. The operation is shown schematically below.



<EAd>\* → Byte data in register or memory

### Instruction Formats and Number of Execution States

Addressing mode	Mnem.	Operands	Instruction code								No. of states		
			1st byte	2nd byte	3rd byte	4th byte							
Register direct	BST	#xx:3, Rd	6	7	0	IMM	rd						2
Register indirect	BST	#xx:3, @Rd	7	D	0	rd	0	6	7	0	IMM	0	8
Absolute address	BST	#xx:3, @aa:8	7	F		abs	6	7	0	IMM	0	8	

\* Register direct, register indirect, or absolute addressing.

## 2.2.20 BTST (bit test)

### Operation

$\neg$  (<Bit No.> of <EAd>)  $\rightarrow$  Z

### Assembly-Language Format

```
BTST #xx:3, <EAd>
```

```
BTST Rn, <EAd>
```

### Operand Size

Byte

### Condition Code

I	H	N	Z	V	C
—	—	—	Δ	—	—

I: Previous value remains unchanged.

H: Previous value remains unchanged.

N: Previous value remains unchanged.

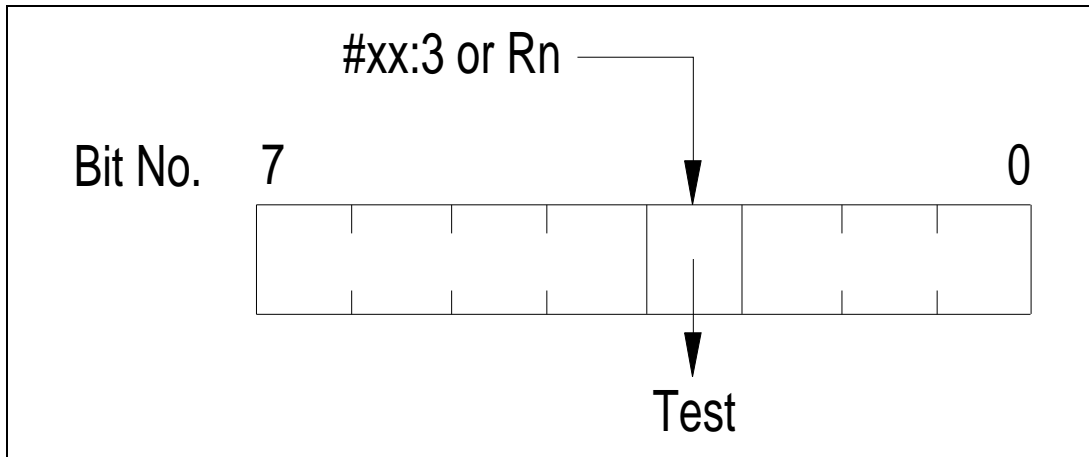
Z: Set to 1 when the specified bit is zero; otherwise cleared to 0.

V: Previous value remains unchanged.

C: Previous value remains unchanged.

### Description

This instruction tests a specified bit in a general register or memory location and sets or clears the Zero flag accordingly. The bit number can be specified by 3-bit immediate data, or by the lower three bits of an 8-bit general register. The operation is shown schematically below.



<EAD>\* → Byte data in register or memory

The value of the specified bit is not altered.

\* Register direct, register indirect, or absolute addressing.

#### Instruction Formats and Number of Execution States

Addressing mode	Mnem.	Operands	Instruction code								No. of states		
			1st byte	2nd byte	3rd byte	4th byte							
Register direct	BTST	#xx:3, Rd	7	3	0	IMM	rd						2
Register indirect	BTST	#xx:3, @Rd	7	C	0	rd	0	7	3	0	IMM	0	6
Absolute address	BTST	#xx:3, @aa:8	7	E		abs	7	3	0	IMM	0	6	
Register direct	BTST	Rn, Rd	6	3	rn	rd							2
Register indirect	BTST	Rn, @Rd	7	C	0	rd	0	6	3	rn	0	6	
Absolute address	BTST	Rn, @aa:8	7	E		abs	6	3	rn	0	6	6	

### 2.2.21 BXOR (bit exclusive OR)

#### Operation

$C \oplus (\text{Bit No. of } \langle \text{EAd} \rangle) \rightarrow C$

#### Assembly-Language Format

```
BXOR #xx:3, <EAd>
```

#### Operand Size

Byte

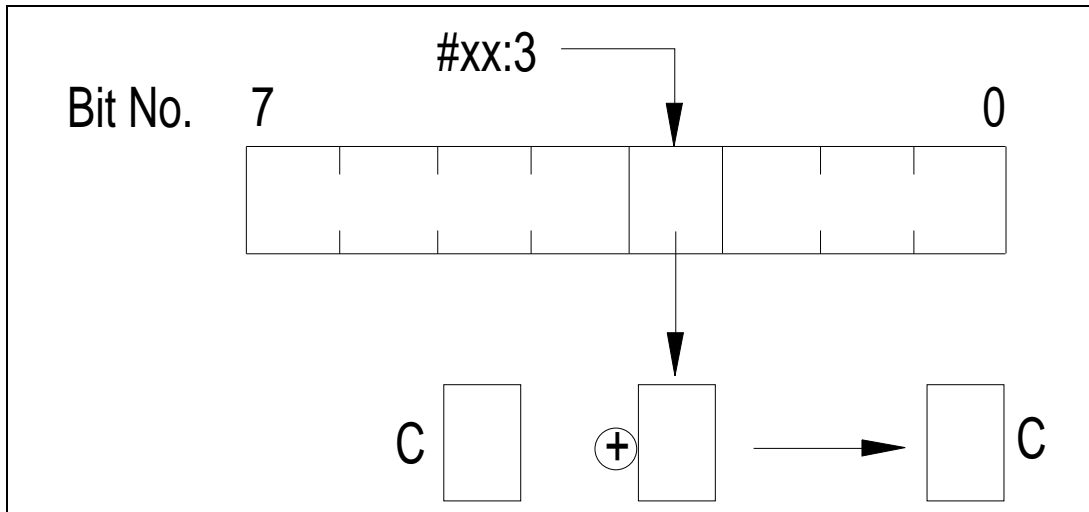
#### Condition Code

I	H	N	Z	V	C
—	—	—	—	—	Δ

I: Previous value remains unchanged.  
H: Previous value remains unchanged.  
N: Previous value remains unchanged.  
Z: Previous value remains unchanged.  
V: Previous value remains unchanged.  
C: Exclusive-ORed with the specified bit.

#### Description

This instruction exclusive-ORs a specified bit with the carry flag and places the result in the carry flag. The specified bit can be located in a general register or memory. The bit number is specified by 3-bit immediate data. The operation is shown schematically below.



<EAd>\* → Byte data in register or memory

The value of the specified bit is not changed.

#### Instruction Formats and Number of Execution States

Addressing mode	Mnem.	Operands	Instruction code								No. of states			
			1st byte	2nd byte	3rd byte	4th byte								
Register direct	BXOR	#xx:3, Rd	7	5	0	IMM	rd							2
Register indirect	BXOR	#xx:3, @Rd	7	C	0	rd	0	7	5	0	IMM	0		6
Absolute address	BXOR	#xx:3, @aa:8	7	E		abs		7	5	0	IMM	0		6

\* Register direct, register indirect, or absolute addressing.

## 2.2.22 (1) CMP (compare) (byte) CMP

### Operation

Rd – (EAs); set condition code

### Assembly-Language Format

```
CMP.B <EAs>, Rd
```

### Operand Size

Byte

### Condition Code

<b>I</b>	<b>H</b>	<b>N</b>	<b>Z</b>	<b>V</b>	<b>C</b>
—	— Δ	— Δ	Δ	Δ	Δ

I: Previous value remains unchanged.

H: Set to 1 when there is a borrow from bit 3; otherwise cleared to 0.

N: Set to 1 when the result is negative; otherwise cleared to 0.

Z: Set to 1 when the result is zero; otherwise cleared to 0.

V: Set to 1 when an overflow occurs; otherwise cleared to 0.

C: Set to 1 when there is a borrow from bit 7; otherwise cleared to 0.

### Description

This instruction subtracts an 8-bit source register or immediate data from an 8-bit destination register and sets the condition code flags according to the result. The destination register is not altered.

### Instruction Formats and Number of Execution States

Addressing mode	Mnem.	Operands	Instruction code				No. of states
			1st byte	2nd byte	3rd byte	4th byte	
Immediate	CMP.B	#xx:8, Rd	A	rd	IMM		2
Register direct	CMP.B	Rs, Rd	1	C	rs	rd	2



## 2.2.22 (2) CMP (compare) (word)

### Operation

Rd – Rs; set condition code

### Assembly-Language Format

```
CMP.W Rs, Rd
```

### Operand Size

Word

### Condition Code

I	H	N	Z	V	C
—	— Δ	— Δ	Δ	Δ	Δ

I: Previous value remains unchanged.

H: Set to 1 when there is a borrow from bit 11; otherwise cleared to 0.

N: Set to 1 when the result is negative; otherwise cleared to 0.

Z: Set to 1 when the result is zero; otherwise cleared to 0.

V: Set to 1 when an overflow occurs; otherwise cleared to 0.

C: Set to 1 when there is a borrow from bit 15; otherwise cleared to 0.

### Description

This instruction subtracts a source register from a destination register and sets the condition code flags according to the result. The destination register is not altered.

### Instruction Formats and Number of Execution States

Addressing mode	Mnem.	Operands	Instruction code				No. of states
			1st byte	2nd byte	3rd byte	4th byte	
Register direct	CMP.W	Rs, Rd	1 D	0 rs 0 rd			2

### 2.2.23 DAA (decimal adjust add)

#### Operation

Rd (decimal adjust) → Rd

#### Assembly-Language Format

DAA Rd

#### Operand Size

Byte

#### Condition Code

I	H	N	Z	V	C
—	— *	— Δ	Δ	*	Δ

I: Previous value remains unchanged.

H: Unpredictable

N: Set to 1 when the adjusted result is negative; otherwise cleared to 0.

Z: Set to 1 when the adjusted result is zero; otherwise cleared to 0.

V: Unpredictable.

C: Set to 1 when there is a carry from bit 7; otherwise left unchanged.

#### Description

When the result of an addition operation performed by the ADD.B or ADDX instruction on 4-bit BCD data is contained in an 8-bit general register and the carry and half-carry flags, the DAA instruction adjusts the result by adding H'00, H'06, H'60, or H'66 to the general register according to the table below.

Valid results are not assured if this instruction is executed under conditions other than those stated above.

Status before adjustment					
C flag	Upper nibble	H flag	Lower nibble	Value added	Resulting C flag
0	0 - 9	0	0 - 9	H'00	0
0	0 - 8	0	A - F	H'06	0
0	0 - 9	1	0 - 3	H'06	0
0	A - F	0	0 - 9	H'60	1
0	9 - F	0	A - F	H'66	1
0	A - F	1	0 - 3	H'66	1
1	0 - 2	0	0 - 9	H'60	1
1	0 - 2	0	A - F	H'66	1
1	0 - 3	1	0 - 3	H'66	1

### Instruction Formats and Number of Execution States

Addressing mode	Mnem.	Operands	Instruction code				No. of states
			1st byte	2nd byte	3rd byte	4th byte	
Register direct	DAA	Rd	0	F	0	rd	2

## 2.2.24 DAS (decimal adjust subtract)

### Operation

Rd (decimal adjust) → Rd

### Assembly-Language Format

DAS Rd

### Operand Size

Byte

### Condition Code

I	H	N	Z	V	C
—	— *	— Δ	Δ	*	—

I: Previous value remains unchanged.

H: Unpredictable.

N: Set to 1 when the adjusted result is negative; otherwise cleared to 0.

Z: Set to 1 when the adjusted result is zero; otherwise cleared to 0.

V: Unpredictable.

C: Previous value remains unchanged.

### Description

When the result of a subtraction operation performed by the SUB.B, SUBX, or NEG instruction on 4-bit BCD data is contained in an 8-bit general register and the carry and half-carry flags, the DAA instruction adjusts the result by adding H'00, H'FA, H'A0, or H'9A to the general register according to the table below.

Valid results are not assured if this instruction is executed under conditions other than those stated above.

#### Status before adjustment

C flag	Upper nibble	H flag	Lower nibble	Value added	Resulting C flag
0	0 - 9	0	0 - 9	H'00	0
0	0 - 8	1	6 - F	H'FA	0
1	7 - F	0	0 - 9	H'A0	1
1	6 - F	1	6 - F	H'9A	1

### Instruction Formats and Number of Execution States

Addressing mode	Mnem.	Operands	Instruction code				No. of states
			1st byte	2nd byte	3rd byte	4th byte	
Register direct	DAS	Rd	1 F	0	rd		2

## 2.2.25 DEC (decrement)

### Operation

Rd - 1 → Rd

### Assembly-Language Format

DEC Rd

### Operand Size

Byte

### Condition Code

I	H	N	Z	V	C
—	—	Δ	Δ	Δ	—

I: Previous value remains unchanged.

H: Previous value remains unchanged.

N: Set to 1 when the result is negative; otherwise cleared to 0.

Z: Set to 1 when the result is zero; otherwise cleared to 0.

V: Set to 1 when an overflow occurs (the previous value in Rd was H'80); otherwise cleared to 0.

C: Previous value remains unchanged.

### Description

This instruction decrements an 8-bit general register and places the result in the general register.

### Instruction Formats and Number of Execution States

Addressing mode	Mnem.	Operands	Instruction code				No. of states
			1st byte	2nd byte	3rd byte	4th byte	
Register direct	DEC	Rd	1	A	0	rd	2

## 2.2.26 DIVXU (divide extend as unsigned)

### Operation

$Rd \div Rs \rightarrow Rd$

### Assembly-Language Format

DIVXU *Rs*, *Rd*

### Operand Size

Byte

### Condition Code

I	H	N	Z	V	C
—	—	—	Δ	Δ	—

I: Previous value remains unchanged.

H: Previous value remains unchanged.

N: Set to 1 when the divisor is negative; otherwise cleared to 0.

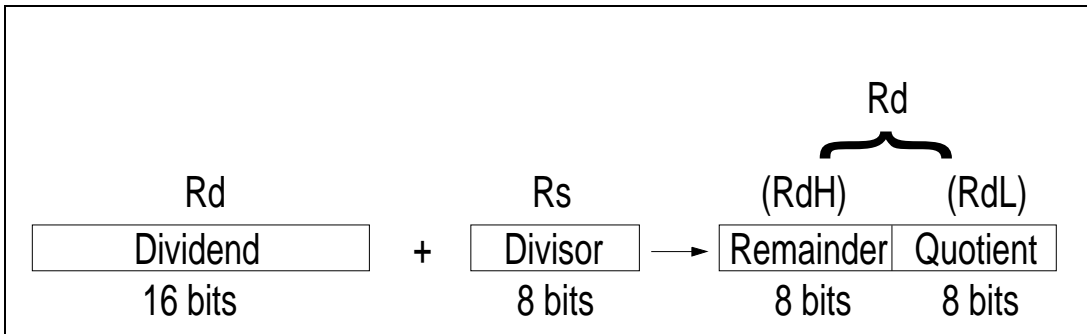
Z: Cleared to 0 when divisor  $\neq 0$ ; otherwise not guaranteed.

V: Previous value remains unchanged.

C: Previous value remains unchanged.

### Description

This instruction divides a 16-bit general register by an 8-bit general register and places the result in the 16-bit general register. The quotient is placed in the lower byte. The remainder is placed in the upper byte. The operation is shown schematically below.



Valid results (Kd, N, Z) are not assured if division by zero is attempted or an overflow occurs. Division by zero is indicated in the Zero flag. Overflow can be avoided by the coding shown on the next page.

## Instruction Formats and Number of Execution States

Addressing mode	Mnem.	Operands	Instruction code				No. of states
			1st byte	2nd byte	3rd byte	4th byte	
Register direct	DIVXU	Rs, Rd	5	1	rs 0	rd	14

Note: DIVXU Overflow

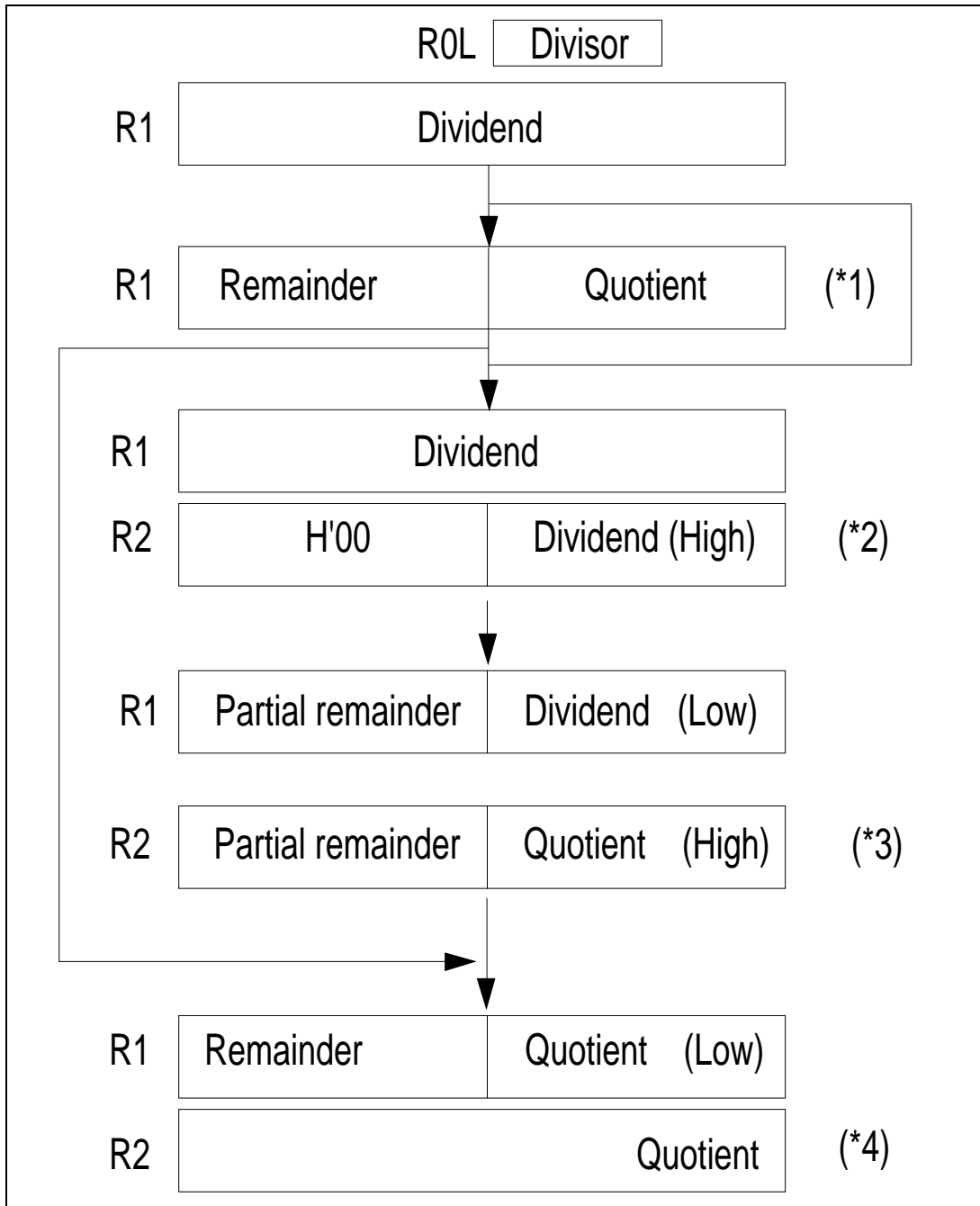
Since the DIVXU instruction performs 16-bit ÷ 8-bit → 8-bit division, an overflow will occur if the divisor byte is equal to or less than the upper byte of the dividend. For example, H'FFFF ÷ H'01 → H'FFFF causes an overflow. (The quotient has more than 8 bits.)

Overflows can be avoided by using a subprogram like the following. A work register is required.

```

    To perform
DIVXU R0L, R1:
    MOV.B #H'00, R2H
    CMP.B R0L, R1H
    BCC L1
    DIVXU R0L, R1    (*1)
    MOV.B R1L, R2L
    BRA L2
L1 MOV.B R1H, R2L    (*2)
    DIVXU R0L, R2
    MOV.B R2H, R1H    (*3)
    DIVXU R0L, R1
    MOV.B R2L, R2H
    MOV.B R1L, R2L
L2 RTS (*4)

```





## 2.227 EEPMOV (move data to EEPROM)

### Operation

if R4L  $\neq$  0 then  
    repeat @R5+  $\rightarrow$  @R6+  
        R4L - 1  $\rightarrow$  R4L  
    until R4L = 0  
else next;

### Assembly-Language Format

EEPMOV

### Operand Size

—

### Condition Code

I	H	N	Z	V	C
—	—	—	—	—	—

I: Previous value remains unchanged.

H: Previous value remains unchanged.

N: Previous value remains unchanged.

Z: Previous value remains unchanged.

V: Previous value remains unchanged.

C: Previous value remains unchanged.

### Description

This instruction moves a block of data from the memory location specified in general register R5 to the memory location specified in general register R6. General register R4L gives the byte length of the block.

Data are transferred a byte at a time. After each byte transfer, R5 and R6 are incremented and R4L is decremented. When R4L reaches 0, the transfer ends and the next instruction is executed. No interrupt requests are accepted during the data transfer.

At the end of this instruction, R4L contains H'00. R5 and R6 contain the last transfer address +1.

The memory locations specified by general registers R5 and R6 are read before the block transfer is performed.

## Instruction Formats and Number of Execution States

Addressing mode	Mnem.	Operands	Instruction code								No. of states
			1st byte		2nd byte		3rd byte		4th byte		
—	EEPMOV		7	B	5	C	5	9	8	F	9+4n*

\* n is the initial value in R4L ( $0 \leq n \leq 255$ ). Although n bytes of data are transferred, memory is accessed  $2(n+1)$  times, requiring  $4(n+1)$  states.

## 2.2.28 INC (increment)

### Operation

$Rd + 1 \rightarrow Rd$

### Assembly-Language Format

INC Rd

### Operand Size

Byte

### Condition Code

<b>I</b>		<b>H</b>		<b>N</b>	<b>Z</b>	<b>V</b>	<b>C</b>
—	—	—	—	Δ	Δ	Δ	—

I: Previous value remains unchanged.

H: Previous value remains unchanged.

N: Set to 1 when the result is negative; otherwise cleared to 0.

Z: Set to 1 when the result is zero; otherwise cleared to 0.

V: Set to 1 when an overflow occurs (the previous value in Rd was H'7F); otherwise cleared to 0.

C: Previous value remains unchanged.

### Description

This instruction increments an 8-bit general register and places the result in the general register.

### Instruction Formats and Number of Execution States

Addressing mode	Mnem.	Operands	Instruction code				No. of states
			1st byte	2nd byte	3rd byte	4th byte	
Register direct	INC	Rd	0	A	0	rd	2

## 2.2.29 JMP (jump)

### Operation

(EAd) → PC

### Assembly-Language Format

JMP <EA>

### Operand Size

—

### Condition Code

<b>I</b>	<b>H</b>	<b>N</b>	<b>Z</b>	<b>V</b>	<b>C</b>
—	—	—	—	—	—

I: Previous value remains unchanged.  
H: Previous value remains unchanged.  
N: Previous value remains unchanged.  
Z: Previous value remains unchanged.  
V: Previous value remains unchanged.  
C: Previous value remains unchanged.

### Description

This instruction branches unconditionally to a specified destination address.

The destination address must be even.

### Instruction Formats and Number of Execution States

Addressing mode	Mnem.	Operands	Instruction code				No. of states	
			1st byte	2nd byte	3rd byte	4th byte		
Register indirect	JMP	@Rn	5	9 0 rn	0		4	
Absolute address	JMP	@aa:16	5	A	0	0	abs.	6
Memory indirect	JMP	@@aa:8	5	B			abs.	8

### 2.2.30 JSR (Jump to subroutine)

#### Operation

PC → @-SP

(EAd) → PC

#### Assembly-Language Format

JSR <EA>

#### Operand Size

—

#### Condition Code

I	H	N	Z	V	C
—	—	—	—	—	—
I:	Previous value remains unchanged.				
H:	Previous value remains unchanged.				
N:	Previous value remains unchanged.				
Z:	Previous value remains unchanged.				
V:	Previous value remains unchanged.				
C:	Previous value remains unchanged.				

#### Description

This instruction pushes the program counter onto the stack, then branches to a specified destination address. The program counter value pushed on the stack is the address of the instruction following the JSR instruction. The destination address must be even.

#### Instruction Formats and Number of Execution States

Addressing mode	Mnem.	Operands	Instruction code				No. of states
			1st byte	2nd byte	3rd byte	4th byte	
Register indirect	JSR	@Rn	5	D 0 rn 0			6
Absolute address	JSR	@aa:16	5	E 0 0		abs.	8
Memory indirect	JSR	@@aa:8	5	F	abs.		8

### 2.2.31 LDC (load to control register)

#### Operation

(EAs) → CCR

#### Assembly-Language Format

LDC <EAs>, CCR

#### Operand Size

Byte

#### Condition Code

I	H		N	Z	V	C
Δ	Δ	Δ	Δ	Δ	Δ	Δ
I:	Loaded from the source operand.					
H:	Loaded from the source operand.					
N:	Loaded from the source operand.					
Z:	Loaded from the source operand.					
V:	Loaded from the source operand.					
C:	Loaded from the source operand.					

#### Description

This instruction loads the source operand contents into the condition code register (CCR). Bits 4 and 6 are loaded as well as the flag bits.

No interrupt requests are accepted immediately after this instruction. All interrupts are deferred until after the next instruction.

#### Instruction Formats and Number of Execution States

Addressing mode	Mnem.	Operands	Instruction code				No. of states
			1st byte	2nd byte	3rd byte	4th byte	
Immediate	LDC	#xx:8, CCR	0	7	IMM		2
Register direct	LDC	Rs, CCR	0	3	0	rs	2

## 2.2.32 (1) MOV (move data) (byte)

### Operation

Rs → Rd

### Assembly-Language Format

```
MOV.B Rs, Rd
```

### Operand Size

Byte

### Condition Code

<b>I</b>		<b>H</b>		<b>N</b>	<b>Z</b>	<b>V</b>	<b>C</b>
—	—	—	—	Δ	Δ	0	—

I: Previous value remains unchanged.

H: Previous value remains unchanged.

N: Set to 1 when the data value is negative; otherwise cleared to 0.

Z: Set to 1 when the data value is zero; otherwise cleared to 0.

V: Cleared to 0.

C: Previous value remains unchanged.

### Description

This instruction moves one byte of data from a source register to a destination register and sets condition code flags according to the data value.

### Instruction Formats and Number of Execution States

Addressing mode	Mnem.	Operands	Instruction code				No. of states
			1st byte	2nd byte	3rd byte	4th byte	
Register direct	MOV.B	Rs, Rd	0 C	rs	rd	2	

## 2.2.32(2) MOV (move data) (word)

### Operation

Rs → Rd

### Assembly-Language Format

MOV.W Rs, Rd

### Operand Size

Word

### Condition Code

<b>I</b>	<b>H</b>	<b>N</b>	<b>Z</b>	<b>V</b>	<b>C</b>
—	—	—	Δ	Δ	0
—	—	—	Δ	Δ	0

I: Previous value remains unchanged.

H: Previous value remains unchanged.

N: Set to 1 when the data value is negative; otherwise cleared to 0.

Z: Set to 1 when the data value is zero; otherwise cleared to 0.

V: Cleared to 0.

C: Previous value remains unchanged.

### Description

This instruction moves one word of data from a source register to a destination register and sets condition code flags according to the data value.

### Instruction Formats and Number of Execution States

Addressing mode	Mnem.	Operands	Instruction code				No. of states
			1st byte	2nd byte	3rd byte	4th byte	
Register direct	MOV.W	RS, Rd	0	D 0 rs	0	rd	2



### 2.2.32(3) MOV (move data) (byte)

#### Operation

(EAs) → Rd

#### Assembly-Language Format

```
MOV.B <EAs>, Rd
```

#### Operand Size

Byte

#### Condition Code

I	H	N	Z	V	C
—	—	Δ	Δ	0	—

I: Previous value remains unchanged.

H: Previous value remains unchanged.

N: Set to 1 when the data value is negative; otherwise cleared to 0.

Z: Set to 1 when the data value is zero; otherwise cleared to 0.

V: Cleared to 0.

C: Previous value remains unchanged.

#### Description

This instruction moves one byte of data from a source operand to a destination register and sets condition code flags according to the data value.

The MOV.B @R7+, Rd instruction should never be used, because it leaves an odd value in the stack pointer. See section 3.2.3 for details.

## Instruction Formats and Number of Execution States

Addressing mode	Mnem.	Operands	Instruction code				No. of states		
			1st byte	2nd byte	3rd byte	4th byte			
Immediate	MOV.B	#xx:8, Rd	F	rd	IMM		2		
Register indirect	MOV.B	@RS, Rd	6	8	0	rs	rd	4	
Register indirect with displacement	MOV.B	@(d:16, Rs), Rd	6	E	0	rs	rd	disp.	6
Register indirect with post-increment	MOV.B	@Rs+, Rd	6	C	0	rs	rd		6
Absolute address	MOV.B	@aa:8, Rd	2	rd	abs			4	
Absolute address	MOV.B	@aa:16, Rd	6	A	0	rd	abs.	6	

## 2.2.32(4) MOV (move data) (word)

### Operation

(EAs) → Rd

### Assembly-Language Format

```
MOV .W <EAs>, Rd
```

### Operand Size

Word

### Condition Code

I	H	N	Z	V	C
—	—	—	Δ	Δ	0

I: Previous value remains unchanged.

H: Previous value remains unchanged.

N: Set to 1 when the data value is negative; otherwise cleared to 0.

Z: Set to 1 when the data value is zero; otherwise cleared to 0.

V: Cleared to 0.

C: Previous value remains unchanged.

### Description

This instruction moves one word of data from a source operand to a destination register and sets condition code flags according to the data value.

If the source operand is in memory, it must be located at an even address.

MOV.W @R7+, Rd is identical in machine language to POP.W Rd.

Note that the LSIs in the H8/300L Series contain on-chip peripheral modules for which access in word size is not possible. Details are given in the applicable hardware manual.

## Instruction Formats and Number of Execution States

Addressing mode	Mnem.	Operands	Instruction code						No. of states	
			1st byte	2nd byte	3rd byte	4th byte				
Immediate	MOV.W	#xx:16, Rd	7	9	0	0	rd	IMM	4	
Register indirect	MOV.W	@RS, Rd	6	9	0	rs	0	rd	4	
Register indirect with displacement	MOV.W	@(d:16,Rs),Rd	6	F	0	rs	0	rd	disp.	6
Register indirect with post-increment	MOV.W	@Rs+, Rd	6	D	0	rs	0	rd		6
Absolute address	MOV.W	@aa:16, Rd	6	B	0	0	rd	abs.	6	

## 2.2.32(5) MOV (move) data) (byte)

### Operation

Rs → (EAd)

### Assembly-Language Format

```
MOV .B Rs, <EAd>
```

### Operand Size

Byte

### Condition Code

<b>I</b>	<b>H</b>	<b>N</b>	<b>Z</b>	<b>V</b>	<b>C</b>
—	—	—	—	Δ	Δ
—	—	—	—	0	—

I: Previous value remains unchanged.

H: Previous value remains unchanged.

N: Set to 1 when the data value is negative; otherwise cleared to 0.

Z: Set to 1 when the data value is zero; otherwise cleared to 0.

V: Cleared to 0.

C: Previous value remains unchanged.

### Description

This instruction moves one byte of data from a source register to memory and sets condition code flags according to the data value.

The MOV.B Rs, @-R7 instruction should never be used, because it leaves an odd value in the stack pointer. See section 3.2.3 for details.

The instruction MOV.B RnH, @-Rn or MOV.B RnL, @-Rn decrements register Rn, then moves the upper or lower byte of the decremented result to memory.

### Instruction Formats and Number of Execution States

Addressing mode	Mnem.	Operands	Instruction code				No. of states
			1st byte	2nd byte	3rd byte	4th byte	
Register indirect	MOV.B	Rs, @Rd	6	8	1	rd rs	4
Register indirect with displacement	MOV.B	Rs, @(d:16,Rd)	6	E	1	rd rs disp.	6
Register indirect with pre-decrement	MOV.B	Rs, @-Rd	6	C	1	rd rs	6
Absolute address	MOV.B	Rs, @aa:8	3	rs		abs	4
Absolute address	MOV.B	Rs, @aa:16	6	A	8	rs abs.	6

## 2.2.32(6) MOV (move data) (word)

### Operation

$R_s \rightarrow (EAd)$

### Assembly-Language Format

`MOV .W  $R_s$ , <EAd>`

### Operand Size

Word

### Condition Code

I	H	N	Z	V	C
—	—	—	—	Δ	Δ
—	—	—	—	0	—

I: Previous value remains unchanged.

H: Previous value remains unchanged.

N: Set to 1 when the data value is negative; otherwise cleared to 0.

Z: Set to 1 when the data value is zero; otherwise cleared to 0.

V: Cleared to 0.

C: Previous value remains unchanged.

### Description

This instruction moves one word of data from a general register to memory and sets condition code flags according to the data value.

The destination address in memory must be even.

`MOV.W  $R_s$ , @- $R_7$`  is identical in machine language to `PUSH.W  $R_s$` .

The instruction `MOV.W  $R_n$ , @- $R_n$`  decrements register  $R_n$  by 2, then moves the decremented result to memory.

Note that the LSIs in the H8/300L Series contain on-chip peripheral modules for which access in word size is not possible. Details are given in the applicable hardware manual.

## Instruction Formats and Number of Execution States

Addressing mode	Mnem.	Operands	Instruction code				No. of states
			1st byte	2nd byte	3rd byte	4th byte	
Register indirect	MOV.W	Rs, @Rd	6	9 1 rd 0 rs			4
Register indirect with displacement	MOV.W	Rs, @(d:16, Rd)	6	F 1 rd 0 rs		disp.	6
Register indirect with pre-decrement	MOV.W	Rs, @-Rd	6	D 1 rd 0 rs			6
Absolute address	MOV.W	Rs, @aa:16	6	B 8 0 rs		abs.	6

### 2.2.33 MULXU (multiply extend as unsigned)

#### Operation

$Rd \times Rs \rightarrow Rd$

#### Assembly-Language Format

MULXU Rs, Rd

#### Operand Size

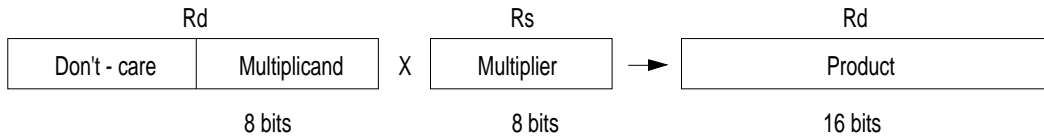
Byte

#### Condition Code

I	H	N	Z	V	C
—	—	—	—	—	—
I:	Previous value remains unchanged.				
H:	Previous value remains unchanged.				
N:	Previous value remains unchanged.				
Z:	Previous value remains unchanged.				
V:	Previous value remains unchanged.				
C:	Previous value remains unchanged.				

#### Description

This instruction performs 8-bit  $\times$  8-bit  $\rightarrow$  16-bit multiplication. It multiplies a destination register by a source register and places the result in the destination register. The source register is an 8-bit register. The destination register is a 16-bit register containing the data to be multiplied in the lower byte. (The upper byte is ignored). The result is placed in both bytes of the destination register. The operation is shown schematically below.



The multiplier can occupy either the upper or lower byte of the source register.

#### Instruction Formats and Number of Execution States

Addressing mode	Mnem.	Operands	Instruction code				No. of states	
			1st byte	2nd byte	3rd byte	4th byte		
Register direct	MULXU	Rs,Rd	5	0	rs	0	rd	14



## 2.2.34 NEG (negate)

### Operation

0 - Rd → Rd

### Assembly-Language Format

NEG Rd

### Operand Size

Byte

### Condition Code

I	H	N	Z	V	C
—	— Δ	— Δ	Δ	Δ	Δ

- I: Previous value remains unchanged.
- H: Set to 1 when there is a borrow from bit 3; otherwise cleared to 0.
- N: Set to 1 when the result is negative; otherwise cleared to 0.
- Z: Set to 1 when the result is zero; otherwise cleared to 0.
- V: Set to 1 when an overflow occurs (the previous contents of the destination register was H'80); otherwise cleared to 0.
- C: Set to 1 when there is a borrow from bit 7 (the previous contents of the destination register was not H'00); otherwise cleared to 0.

### Description

This instruction replaces the contents of an 8-bit general register with its two's complement (subtracts the register contents from H'00).

If the original contents of the destination register was H'80, the register value remains H'80 and the overflow flag is set.

### Instruction Formats and Number of Execution States

Addressing mode	Mnem.	Operands	Instruction code				No. of states
			1st byte	2nd byte	3rd byte	4th byte	
Register direct	NEG	Rd	1	7	8	rd	2

## 2.2.35 NOP (no operation)

### Operation

PC + 2 → PC

### Assembly-Language Format

NOP

### Operand Size

—

### Condition Code

I	H	N	Z	V
—	—	—	—	—
I:	Previous value remains unchanged.			
H:	Previous value remains unchanged.			
N:	Previous value remains unchanged.			
Z:	Previous value remains unchanged.			
V:	Previous value remains unchanged.			
C:	Previous value remains unchanged.			

### Description

This instruction only increments the program counter, causing the next instruction to be executed. The internal state of the CPU does not change.

### Instruction Formats and Number of Execution States

Addressing mode	Mnem.	Operands	Instruction code				No. of states
			1st byte	2nd byte	3rd byte	4th byte	
—	NOP		0	0	0	0	2

## 2.2.36 NOT (NOT = logical complement)

### Operation

$\neg Rd \rightarrow Rd$

### Assembly-Language Format

NOT Rd

### Operand Size

Byte

### Condition Code

<b>I</b>		<b>H</b>		<b>N</b>	<b>Z</b>	<b>V</b>	<b>C</b>
—	—	—	—	Δ	Δ	0	—

I: Previous value remains unchanged.

H: Previous value remains unchanged.

N: Set to 1 when the result is negative; otherwise cleared to 0.

Z: Set to 1 when the result is zero; otherwise cleared to 0.

V: Cleared to 0.

C: Previous value remains unchanged.

### Description

This instruction replaces the contents of an 8-bit general register with its one's complement (subtracts the register contents from H'FF).

### Instruction Formats and Number of Execution States

Addressing mode	Mnem.	Operands	Instruction code				No. of states
			1st byte	2nd byte	3rd byte	4th byte	
Register direct	NOT	Rd	1	7	0	rd	2

## 2.2.37 OR (inclusive OR logical)

### Operation

$Rd \vee (EAs) \rightarrow Rd$

### Assembly-Language Format

OR <EAs>, Rd

### Operand Size

Byte

### Condition Code

<b>I</b>		<b>H</b>		<b>N</b>	<b>Z</b>	<b>V</b>	<b>C</b>
—	—	—	—	Δ	Δ	0	—

I: Previous value remains unchanged.

H: Previous value remains unchanged.

N: Set to 1 when the result is negative; otherwise cleared to 0.

Z: Set to 1 when the result is zero; otherwise cleared to 0.

V: Cleared to 0.

C: Previous value remains unchanged.

### Description

This instruction ORs the source operand with the contents of an 8-bit general register and places the result in the general register.

### Instruction Formats and Number of Execution States

Addressing mode	Mnem.	Operands	Instruction code				No. of states
			1st byte	2nd byte	3rd byte	4th byte	
Immediate	OR	#xx:8, Rd	C	rd	IMM		2
Register direct	OR	Rs, Rd	1	4	rs	rd	2

## 2.2.38 ORC (inclusive OR control register)

### Operation

CCR  $\vee$  #IMM  $\rightarrow$  CCR

### Assembly-Language Format

ORC #xx:8, CCR

### Operand Size

Byte

### Condition Code

I	H		N		Z	V	C
$\Delta$	$\Delta$	$\Delta$	$\Delta$	$\Delta$	$\Delta$	$\Delta$	$\Delta$
I:	ORed with bit 7 of the immediate data.						
H:	ORed with bit 5 of the immediate data.						
N:	ORed with bit 3 of the immediate data.						
Z:	ORed with bit 2 of the immediate data.						
V:	ORed with bit 1 of the immediate data.						
C:	ORed with bit 0 of the immediate data.						

### Description

This instruction ORs the condition code register (CCR) with immediate data and places the result in the condition code register. Bits 6 and 4 are ORed as well as the flag bits.

No interrupt requests are accepted immediately after this instruction. All interrupts are deferred until after the next instruction.

### Instruction Formats and Number of Execution States

Addressing mode	Mnem.	Operands	Instruction code				No. of states
			1st byte	2nd byte	3rd byte	4th byte	
Immediate	ORC	#xx:8, CCR	0	4	IMM	2	

## 2.2.39 POP (pop data)

### Operation

@SP+ → Rn

### Assembly-Language Format

POP Rn

### Operand Size

Word

### Condition Code

<b>I</b>		<b>H</b>		<b>N</b>	<b>Z</b>	<b>V</b>	<b>C</b>
—	—	—	—	Δ	Δ	0	—

I: Previous value remains unchanged.

H: Previous value remains unchanged.

N: Set to 1 when the data value is negative; otherwise cleared to 0.

Z: Set to 1 when the data value is zero; otherwise cleared to 0.

V: Cleared to 0.

C: Previous value remains unchanged.

### Description

This instruction pops data from the stack to a 16-bit general register and sets condition code flags according to the data value.

POP.W Rn is identical in machine language to MOV.W @SP+, Rn.

### Instruction Formats and Number of Execution States

Addressing mode	Mnem.	Operands	Instruction code				No. of states	
			1st byte	2nd byte	3rd byte	4th byte		
—	POP	Rd	6	D	7	0	m	6

## 2.2.40 PUSH (push data)

### Operation

Rn → @-SP

### Assembly-Language Format

PUSH Rn

### Operand Size

Word

### Condition Code

I	H	N	Z	V	C
—	—	Δ	Δ	0	—

I: Previous value remains unchanged.

H: Previous value remains unchanged.

N: Set to 1 when the data value is negative; otherwise cleared to 0.

Z: Set to 1 when the data value is zero; otherwise cleared to 0.

V: Cleared to 0.

C: Previous value remains unchanged.

### Description

This instruction pushes data from a 16-bit general register onto the stack and sets condition code flags according to the data value.

PUSH.W Rn is identical in machine language to MOV.W Rn, @-SP.

### Instruction Formats and Number of Execution States

Addressing mode	Mnem.	Operands	Instruction code				No. of states
			1 st byte	2nd byte	3rd byte	4th byte	
—	PUSH	Rs	6	D F 0 m		6	

### 2.2.41 ROTL (rotate left)

#### Operation

Rd (rotated left) → Rd

#### Assembly-Language Format

ROTL Rd

#### Operand Size

Byte

#### Condition Code

I	H	N	Z	V	C
—	—	Δ	Δ	0	—

I: Previous value remains unchanged.

H: Previous value remains unchanged.

N: Set to 1 when the result is negative; otherwise cleared to 0.

Z: Set to 1 when the result is zero; otherwise cleared to 0.

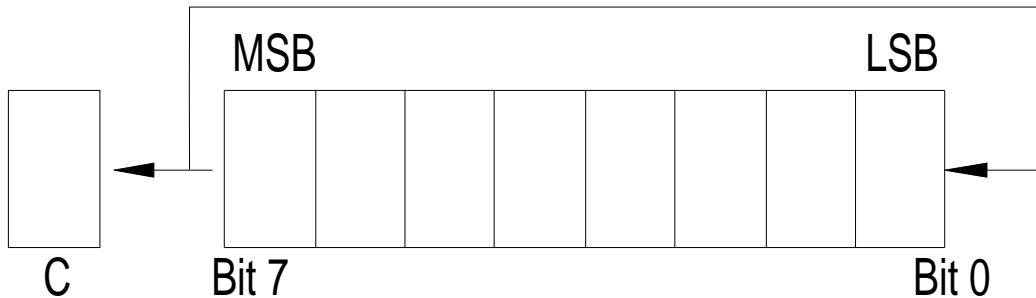
V: Cleared to 0.

C: Receives the previous value in bit 7.

#### Description

This instruction rotates an 8-bit general register one bit to the left. The most significant bit is rotated to the least significant bit, and also copied to the carry flag.

The operation is shown schematically below.



#### Instruction Formats and Number of Execution States

Addressing mode	Mnem.	Operands	Instruction code				No of states
			1 st byte	2nd byte	3rd byte	4th byte	
Register direct	ROTL	Rd	1	2	8	rd	2



### 2.2.42 ROTR (rotate right)

#### Operation

Rd (rotated right) → Rd

#### Assembly-Language Format

ROTR Rd

#### Operand Size

Byte

#### Condition Code

I	H	N	Z	V	C
—	—	Δ	Δ	0	—

I: Previous value remains unchanged.

H: Previous value remains unchanged.

N: Set to 1 when the result is negative; otherwise cleared to 0.

Z: Set to 1 when the result is zero; otherwise cleared to 0.

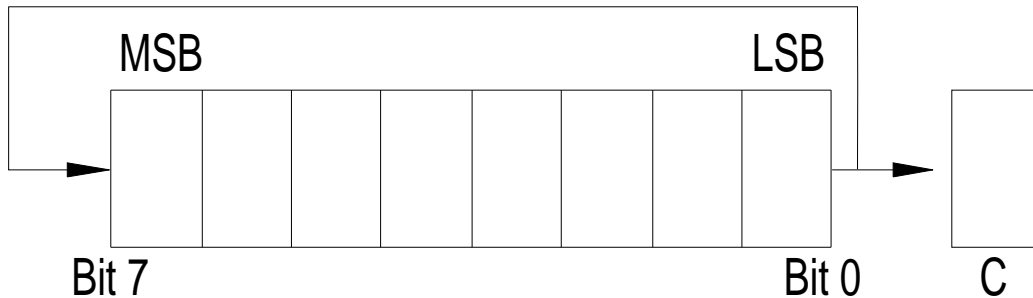
V: Cleared to 0.

C: Receives the previous value in bit 0.

#### Description

This instruction rotates an 8-bit general register one bit to the right. The least significant bit is rotated to the most significant bit, and also copied to the carry flag.

The operation is shown schematically below.



#### Instruction Formats and Number of Execution States

Addressing mode	Mnem.	Operands	Instruction code				No. of states
			1st byte	2nd byte	3rd byte	4th byte	
Register direct	ROTR	Rd	1	3	8	rd	2

### 2.2.43 ROTXL (rotate with extend carry left)

#### Operation

Rd (rotated with carry left) → Rd

#### Assembly-Language Format

ROTXL Rd

#### Operand Size

Byte

#### Condition Code

I	H	N	Z	V	C
—	—	—	Δ	Δ	0

I: Previous value remains unchanged.

H: Previous value remains unchanged.

N: Set to 1 when the result is negative; otherwise cleared to 0.

Z: Set to 1 when the result is zero; otherwise cleared to 0.

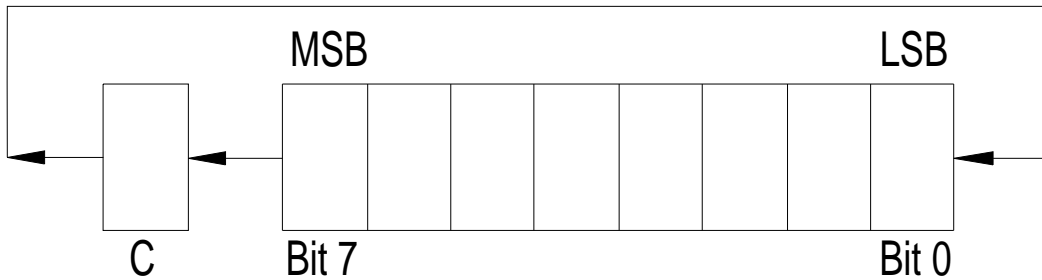
V: Cleared to 0.

C: Receives the previous value in bit 7.

#### Description

This instruction rotates an 8-bit general register one bit to the left through the carry flag. The carry flag is rotated into the least significant bit of the register. The most significant bit rotates into the carry flag.

The operation is shown schematically below.



#### Instruction Formats and Number of Execution States

Addressing mode	Mnem.	Operands	Instruction code				No. of states
			1st byte	2nd byte	3rd byte	4th byte	
Register direct	ROTXL	Rd	1	2	0	rd	2

## 2.2.44 ROTXR (rotate with extend carry right)

### Operation

Rd (rotated with carry right) → Rd

### Assembly-Language Format

ROTXR Rd

### Operand Size

Byte

### Condition Code

I	H	N	Z	V	C
—	—	—	Δ	Δ	0

I: Previous value remains unchanged.

H: Previous value remains unchanged.

N: Set to 1 when the result is negative; otherwise cleared to 0.

Z: Set to 1 when the result is zero; otherwise cleared to 0.

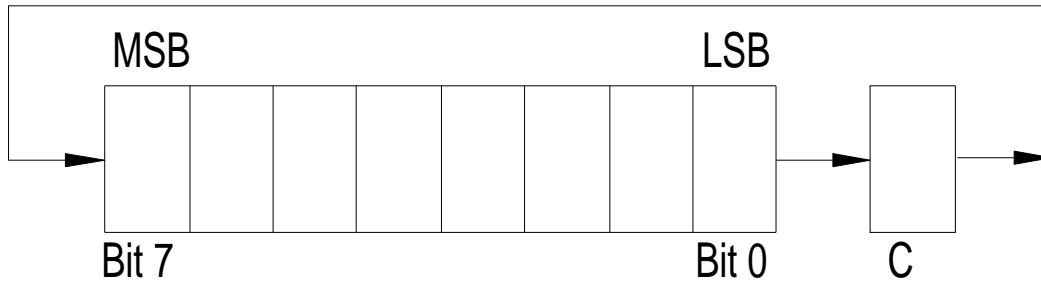
V: Cleared to 0.

C: Receives the previous value in bit 0.

### Description

This instruction rotates an 8-bit general register one bit to the right through the carry flag. The least significant bit is rotated into the carry flag. The carry flag rotates into the most significant bit.

The operation is shown schematically below.



### Instruction Formats and Number of Execution States

Addressing mode	Mnem.	Operands	Instruction code				No. of states
			1st byte	2nd byte	3rd byte	4th byte	
Register direct	ROTXR	Rd	1	3	0	rd	2

## 2.2.45 RTE (return from exception)

### Operation

@SP + → CCR

@SP + → PC

### Assembly-Language Format

RTE

### Operand Size

—

### Condition Code

I	H	N	Z	V	C
Δ	Δ	Δ	Δ	Δ	Δ
I:	Restored from stack.				
H:	Restored from stack.				
N:	Restored from stack.				
Z:	Restored from stack.				
V:	Restored from stack.				
C:	Restored from stack.				

### Description

This instruction returns from an exception-handling routine. It pops the condition code register (CCR) and program counter (PC) from the stack. Program execution continues from the address restored to the program counter.

The CCR and PC contents at the time of execution of this instruction are lost.

The CCR is one byte in size, but it is popped from the stack as a word (in which the lower 8 bits are ignored). This instruction therefore adds 4 to the value of the stack pointer (R7).

### Instruction Formats and Number of Execution States

Addressing mode	Mnem.	Operands	Instruction code				No. of states
			1st byte	2nd byte	3rd byte	4th byte	
—	RTE		5	6	7	0	10

## 2.2.46 RTS (return from subroutine)

### Operation

@SP + → PC

### Assembly-Language Format

RTS

### Operand Size

—

### Condition Code

I	H	N	Z	V	C
—	—	—	—	—	—
I:	Previous value remains unchanged.				
H:	Previous value remains unchanged.				
N:	Previous value remains unchanged.				
Z:	Previous value remains unchanged.				
V:	Previous value remains unchanged.				
C:	Previous value remains unchanged.				

### Description

This instruction returns from a subroutine. It pops the program counter (PC) from the stack. Program execution continues from the address restored to the program counter.

The PC contents at the time of execution of this instruction are lost.

### Instruction Formats and Number of Execution States

Addressing mode	Mnem.	Operands	Instruction code				No. of states
			1st byte	2nd byte	3rd byte	4th byte	
—	RTS		5	4	7	0	8

### 2.2.47 SHAL (shift arithmetic left)

#### Operation

Rd (shifted arithmetic left) → Rd

#### Assembly-Language Format

SHAL Rd

#### Operand Size

Byte

#### Condition Code

I	H	N	Z	V	C
—	—	—	—	Δ	Δ

I: Previous value remains unchanged.

H: Previous value remains unchanged.

N: Set to 1 when the result is negative; otherwise cleared to 0.

Z: Set to 1 when the result is zero; otherwise cleared to 0.

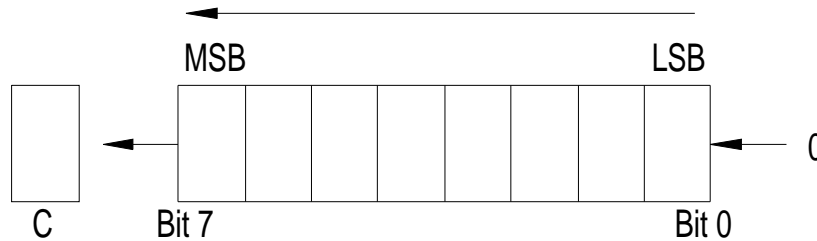
V: Set to 1 when an overflow occurs; otherwise cleared to 0.

C: Receives the previous value in bit 7.

#### Description

This instruction shifts an 8-bit general register one bit to the left. The most significant bit shifts into the carry flag, and the least significant bit is cleared to 0.

The operation is shown schematically below.



The SHAL instruction is identical to the SHLL instruction except for its effect on the overflow (V) flag.

#### Instruction Formats and Number of Execution States

Addressing mode	Mnem.	Operands	Instruction code				No. of states
			1st byte	2nd byte	3rd byte	4th byte	
Register direct	SHAL	Rd	1 0	8 rd			2

## 2.2.48 SHAR (shift arithmetic right)

### Operation

Rd (shifted arithmetic right) → Rd

### Assembly-Language Format

SHAR Rd

### Operand Size

Byte

### Condition Code

I	H	N	Z	V	C
—	—	Δ	Δ	0	—

I: Previous value remains unchanged.

H: Previous value remains unchanged.

N: Set to 1 when the result is negative; otherwise cleared to 0.

Z: Set to 1 when the result is zero; otherwise cleared to 0.

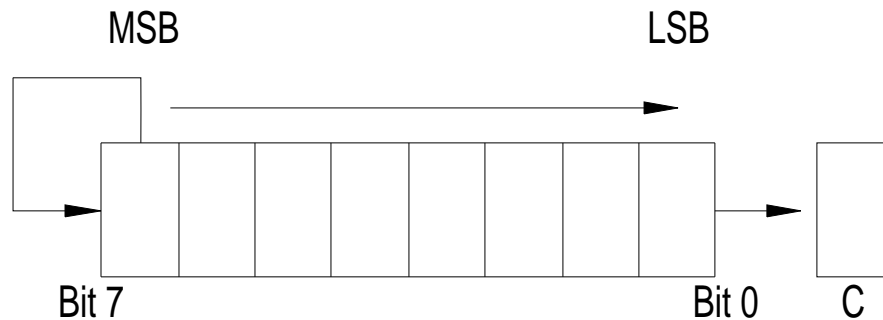
V: Cleared to 0.

C: Receives the previous value in bit 0.

### Description

This instruction shifts an 8-bit general register one bit to the right. The most significant bit remains unchanged. The sign of the result does not change. The least significant bit shifts into the carry flag.

The operation is shown schematically below.



## Instruction Formats and Number of Execution States

Addressing mode	Mnem.	Operands	Instruction code				No. of states
			1st byte	2nd byte	3rd byte	4th byte	
Register direct	SHAR	Rd	1	1	8	rd	2



## 2.2.49 SHLL (shift logical left)

### Operation

Rd (shifted logical left) → Rd

### Assembly-Language Format

```
SHLL Rd
```

### Operand Size

Byte

### Condition Code

I	H	N	Z	V	C
—	—	Δ	Δ	0	—

I: Previous value remains unchanged.

H: Previous value remains unchanged.

N: Set to 1 when the result is negative; otherwise cleared to 0.

Z: Set to 1 when the result is zero; otherwise cleared to 0.

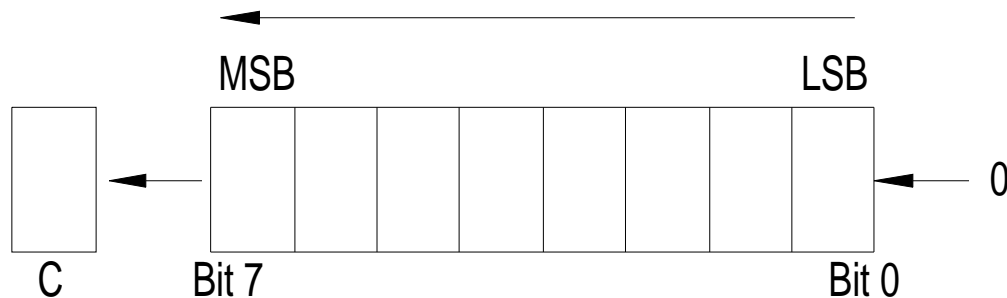
V: Cleared to 0.

C: Receives the previous value in bit 0.

### Description

This instruction shifts an 8-bit general register one bit to the left. The least significant bit is cleared to 0. The most significant bit shifts into the carry flag.

The operation is shown schematically below.



The SHLL instruction is identical to the SHAL instruction except for its effect on the overflow (V) flag.

## Instruction Formats and Number of Execution States

Addressing mode	Mnem.	Operands	Instruction code				No. of states
			1st byte	2nd byte	3rd byte	4th byte	
Register direct	SHLL	Rd	1	0	0	rd	2

## 2.2.50 SHLR (shift logical right)

### Operation

Rd (shifted logical right) → Rd

### Assembly-Language Format

```
SHLR Rd
```

### Operand Size

Byte

### Condition Code

I	H	N	Z	V	C
—	—	Δ	Δ	0	—

I: Previous value remains unchanged.

H: Previous value remains unchanged.

N: Set to 1 when the result is negative; otherwise cleared to 0.

Z: Set to 1 when the result is zero; otherwise cleared to 0.

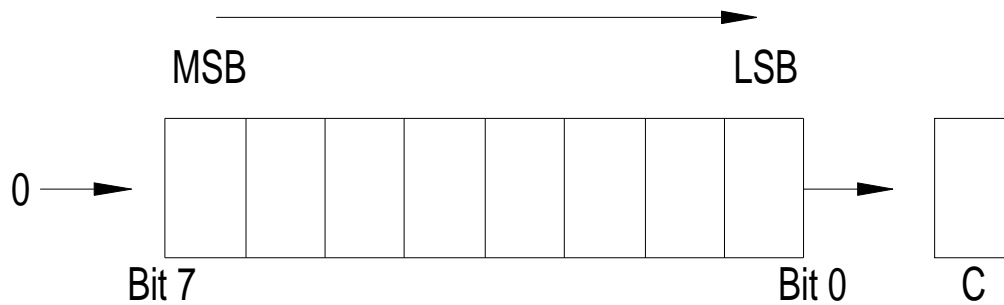
V: Cleared to 0.

C: Receives the previous value in bit 0.

### Description

This instruction shifts an 8-bit general register one bit to the right. The most significant bit is cleared to 0. The least significant bit shifts into the carry flag.

The operation is shown schematically below.



## Instruction Formats and Number of Execution States

Addressing mode	Mnem.	Operands	Instruction code				No. of states
			1st byte	2nd byte	3rd byte	4th byte	
Register direct	SHLR	Rd	1	1	0	rd	2

## 2.2.51 SLEEP (sleep)

### Operation

Program execution state → power-down mode

### Assembly-Language Format

SLEEP

### Operand Size

—

### Condition Code

I	H	N	Z	V	C
—	—	—	—	—	—

I: Previous value remains unchanged.  
H: Previous value remains unchanged.  
N: Previous value remains unchanged.  
Z: Previous value remains unchanged.  
V: Previous value remains unchanged.  
C: Previous value remains unchanged.

### Description

When the SLEEP instruction is executed, the CPU enters a power-down mode. Its internal state remains unchanged, but the CPU stops executing instructions and waits for an exception-handling request (interrupt or reset). When it receives an exception-handling request, the CPU exits the power-down mode and begins the exception-handling sequence.

If the interrupt mask (I) bit is set to 1, the power-down mode can be released only by a nonmaskable interrupt (NMI) or reset.

For information about the power-down modes, see the applicable hardware manual.

### Instruction Formats and Number of Execution States

Addressing mode	Mnem.	Operands	Instruction code				No. of states
			1st byte	2nd byte	3rd byte	4th byte	
—	SLEEP		0 1	8 0		2	

## 2.2.52 STC (store from control register)

### Operation

CCR → Rd

### Assembly-Language Format

STC CCR, Rd

### Operand Size

Byte

### Condition Code

I	H	N	Z	V	C
—	—	—	—	—	—
I:	Previous value remains unchanged.				
H:	Previous value remains unchanged.				
N:	Previous value remains unchanged.				
Z:	Previous value remains unchanged.				
V:	Previous value remains unchanged.				
C:	Previous value remains unchanged.				

### Description

This instruction copies the condition code register (CCR) to a specified general register. Bits 6 and 4 are copied as well as the flag bits.

### Instruction Formats and Number of Execution States

Addressing mode	Mnem.	Operands	Instruction code				No. of states
			1 st byte	2nd byte	3rd byte	4th byte	
Register direct	STC	CCR, Rd	0	2	0	rd	2

## 2.2.53(1) SUB (subtract binary) (byte)

### Operation

$Rd - Rs \rightarrow Rd$

### Assembly-Language Format

```
SUB.B Rs, Rd
```

### Operand Size

Byte

### Condition Code

I	H	N	Z	V	C
—	— Δ	— Δ	Δ	Δ	Δ

I: Previous value remains unchanged.

H: Set to 1 when there is a borrow from bit 3; otherwise cleared to 0.

N: Set to 1 when the result is negative; otherwise cleared to 0.

Z: Set to 1 when the result is zero; otherwise cleared to 0.

V: Set to 1 when an overflow occurs; otherwise cleared to 0.

C: Set to 1 when there is a borrow from bit 7; otherwise cleared to 0.

### Description

This instruction subtracts an 8-bit source register from an 8-bit destination register and places the result in the destination register.

Only register direct addressing is supported. To subtract immediate data it is necessary to use the SUBX.B instruction, first setting the zero flag to 1 and clearing the carry flag to 0.

The following codings can also be used to subtract nonzero immediate data.

```
(1) ORC #H'05, CCR  
    SUBX #(Imm - 1), Rd
```

```
(2) ADD #(0 - Imm), Rd  
    XORC #H'01, CCR
```

### Instruction Formats and Number of Execution States

Addressing mode	Mnem.	Operands	Instruction code				No. of states
			1st byte	2nd byte	3rd byte	4th byte	
Register direct	SUB.B	Rs, Rd	1	8	rs	rd	2



## 2.2.53(2) SUB (subtract binary) (word)

### Operation

Rd - Rs → Rd

### Assembly - Language Format

SUB.W Rs, Rd

### Operand Size

Word

### Condition Code

I	H	N	Z	V	C
—	— Δ	— Δ	Δ	Δ	Δ

I: Previous value remains unchanged.

H: Set to 1 when there is a borrow from bit 11; otherwise cleared to 0.

N: Set to 1 when the result is negative; otherwise cleared to 0.

Z: Set to 1 when the result is zero; otherwise cleared to 0.

V: Set to 1 when an overflow occurs; otherwise cleared to 0.

C: Set to 1 when there is a borrow from bit 15; otherwise cleared to 0.

### Description

This instruction subtracts a 16-bit source register from a 16-bit destination register and places the result in the destination register.

### Instruction Formats and Number of Execution States

Addressing mode	Mnem.	Operands	Instruction code				No. of states
			1st byte	2nd byte	3rd byte	4th byte	
Register direct	SUB.W	Rs, Rd	1 9	0 rs	0 rd	2	

## 2.2.54 SUBS (subtract with sign extension)

### Operation

Rd - 1 → Rd

Rd - 2 → Rd

### Assembly-Language Format

SUBS #1, Rd

SUBS #2, Rd

### Operand Size

Word

### Condition Code

I	H	N	Z	V	C
—	—	—	—	—	—
I:	Previous value remains unchanged.				
H:	Previous value remains unchanged.				
N:	Previous value remains unchanged.				
Z:	Previous value remains unchanged.				
V:	Previous value remains unchanged.				
C:	Previous value remains unchanged.				

### Description

This instruction subtracts the immediate value 1 or 2 from word data in a general register. Unlike the SUB instruction, it does not affect the condition code flags.

The SUBS instruction does not permit byte operands.

### Instruction Formats and Number of Execution States

Addressing mode	Mnem.	Operands	Instruction code				No. of states	
			1 st byte	2nd byte	3rd byte	4th byte		
Register direct	SUBS	#1, Rd	1	B	0	0	rd	2
Register direct	SUBS	#2, Rd	1	B	8	0	rd	2

## 2.2.55 SUBX (subtract with extend carry)

### Operation

$Rd - (EAs) - C \rightarrow Rd$

### Assembly-Language Format

SUBX <EAs>, Rd

### Operand Size

Byte

### Condition Code

I	H	N	Z	V	C
—	— Δ	— Δ	Δ	Δ	Δ

I: Previous value remains unchanged.

H: Set to 1 if there is a borrow from bit 3; otherwise cleared to 0.

N: Set to 1 when the result is negative; otherwise cleared to 0.

Z: Previous value remains unchanged when the result is zero; otherwise cleared to 0.

V: Set to 1 when an overflow occurs; otherwise cleared to 0.

C: Set to 1 when there is a borrow from bit 7; otherwise cleared to 0.

### Description

This instruction subtracts the source operand and carry flag from the contents of an 8-bit general register and places the result in the general register.

### Instruction Formats and Number of Execution States

Addressing mode	Mnem.	Operands	Instruction code				No. of states
			1st byte	2nd byte	3rd byte	4th byte	
Immediate	SUBX	#xx:8, Rd	B	rd	IMM		2
Register direct	SUBX	Rs, Rd	1	E	rs	rd	2

## 2.2.56 XOR (exclusive OR logical)

### Operation

$Rd \oplus (Eas) \rightarrow Rd$

### Assembly-Language Format

XOR <Eas>, Rd

### Operand Size

Byte

### Condition Code

<b>I</b>		<b>H</b>		<b>N</b>	<b>Z</b>	<b>V</b>	<b>C</b>
—	—	—	—	Δ	Δ	0	—

I: Previous value remains unchanged.

H: Previous value remains unchanged,

N: Set to 1 when the result is negative; otherwise cleared to 0.

Z: Set to 1 when the result is zero; otherwise cleared to 0.

V: Cleared to 0.

C: Previous value remains unchanged.

### Description

This instruction exclusive-ORs the source operand with the contents of an 8-bit general register and places the result in the general register.

### Instruction Formats and Number of Execution States

Addressing mode	Mnem.	Operands	Instruction code				No. of states
			1st byte	2nd byte	3rd byte	4th byte	
Immediate	XOR	#xx:8, Rd	D	rd	IMM		2
Register direct	XOR	Rs, Rd	1	5	rs	rd	2

## 2.2.57 XORC (exclusive OR control register)

### Operation

CCR  $\oplus$  #IMM  $\rightarrow$  CCR

### Assembly-Language Format

XORC #xx:8, CCR

### Operand Size

Byte

### Condition Code

I	H		N	Z	V	C
$\Delta$	$\Delta$	$\Delta$	$\Delta$	$\Delta$	$\Delta$	$\Delta$

I: Exclusive-ORed with bit 7 of the immediate data.  
H: Exclusive-ORed with bit 5 of the immediate data.  
N: Exclusive-ORed with bit 3 of the immediate data.  
Z: Exclusive-ORed with bit 2 of the immediate data.  
V: Exclusive-ORed with bit 1 of the immediate data.  
C: Exclusive-ORed with bit 0 of the immediate data.

### Description

This instruction exclusive-ORs the condition code register (CCR) with immediate data and places the result in the condition code register. Bits 6 and 4 are exclusive-ORed as well as the flag bits.

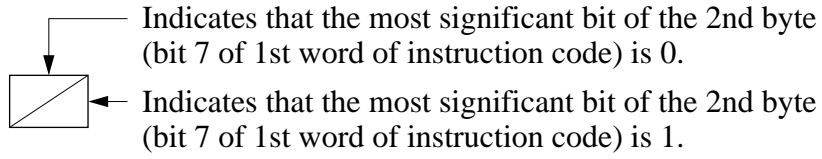
No interrupt requests are accepted immediately after this instruction. All interrupts, including the nonmaskable interrupt (NMI), are deferred until after the next instruction.

### Instruction Formats and Number of Execution States

Addressing mode	Mnem.	Operands	Instruction code				No. of states
			1st byte	2nd byte	3rd byte	4th byte	
Immediate	XORC	#xx:8, CCR	0	5	IMM	2	

## 2.3 Operation Code Map

Table 2-1 shows the operation code map for instructions of the H8/300L CPU. Only the first byte (bits 15 to 8 of the first word) of the instruction code is indicated here.



**Table 2-1. Operation Code Map**

HI \ LO	0	1	2	3	4	5	6	7	8	9	A	B	C	D	E	F
0	NOP	SLEEP	STC	LDC	ORC	XORC	ANDC	LDC	ADD	ADD	INC	ADDS	MOV	ADDX	DAA	
1	SHLL SHAL	SHLR SHAR	ROTXL ROTL	ROTXR ROTR	OR	XOR	AND	NOT NEG	SUB	DEC	SUBS	CMP	SUBX	DAS		
2	MOV															
3	MOV															
4	BRA	BRN	BHI	BLS	BCC	BCS	BNE	BEQ	BVC	BVS	BPL	BMI	BGE	BLT	BGT	BLE
5	MULXU	DIVXU			RTS	BSR	RTE				JMP					JSR
6	BSET	BNOT	BCLR	BTST				BST								
7					BOR	BXOR	BAND	BIST BLD		MOV		EEMOV		Bit manipulation instructions		
8	ADD															
9	ADDX															
A	CMP															
B	SUBX															
C	OR															
D	XOR															
E	AND															
F	MOV															

Note: The PUSH and POP instructions are equivalent in machine language to the MOV instruction. See the descriptions of individual instructions in section 2.2. Instructions, for details.

## 2.4 List of Instructions

Table 2-2. List of Instructions (1)

Mnemonic	Operand Size	Operation	Addressing Mode and Instruction Length (Bytes)								Condition Code	No. of States					
			#xx: 8/16	Rn	@Rn	@(d:16,Rn)	@-Rn/@Rn+	@aa:8/16	@(d:8, PC)	@aa			Implied				
			I	H	N	Z	V0	C									
MOV.B #xx:8,Rd	B	#xx:8→Rd8	2								--	---	Δ	Δ	0	--	2
MOV.B Rs,Rd	B	Rs8→Rd8		2							--	--	Δ	Δ	0	--	2
MOV.B @Rs,Rd	B	@Rs16→Rd8			2						--	--	Δ	Δ	0	--	4
MOV.B @(d:16,Rs),Rd	B	@(d:16,Rs16)→Rd8				4					--	--	Δ	Δ	0	--	6
MOV.B @Rs+,Rd	B	@Rs16→Rd8 Rs16+1→Rs16					2				--	--	Δ	Δ	0	--	6
MOV.B @aa 8,Rd	B	@aa:8→Rd8						2			--	--	Δ	Δ	0	--	4
MOV.B @aa:16,Rd	B	@aa:16→Rd8							4		--	--	Δ	Δ	0	--	6
MOV.B Rs,@Rd	B	Rs8→@Rd16			2						--	--	Δ	Δ	0	--	4
MOV.B Rs,@(d:16,Rd)	B	Rs8→@(d:16,Rd16)				4					--	--	Δ	Δ	0	--	6
MOV.B Rs,@-Rd	B	Rd16-1→Rd16 Rs8→@Rd16					2				--	--	Δ	Δ	0	--	6
MOV.B Rs,@aa-8	B	Rs8→@aa:8						2			--	--	Δ	Δ	0	--	4
MOV.B Rs,@aa 16	B	Rs8→@aa:16							4		--	--	Δ	Δ	0	--	6
MOV.W #xx:16,Rd	W	#xx:16→RD	4								--	--	Δ	Δ	0	--	4
MOV.W Rs,Rd	W	Rs16→Rd16		2							--	--	Δ	Δ	0	--	2
MOV.W @Rs,Rd	W	@Rs16→Rd16			2						--	--	Δ	Δ	0	--	4
MOV.W @(d:16,Rs),Rd	W	@(d:16,Rs16)→Rd16				4					--	--	Δ	Δ	0	--	6
MOV.W @Rs+,Rd	W	@Rs16→Rd16 Rs16+2→Rs16					2				--	--	Δ	Δ	0	--	6
MOV.W @aa:16,Rd	W	@aa:16→Rd16						4			--	--	Δ	Δ	0	--	6
MOV.W Rs,@Rd	W	Rs16→@Rd16			2						--	--	Δ	Δ	0	--	4
MOV.W Rs,@(d:16,Rd)	W	Rs16→@(d:16,Rd16)				4					--	--	Δ	Δ	0	--	6
MOV.W Rs,@-Rd	W	Rd16-2→Rd16 Rs16→@Rd16					2				--	--	Δ	Δ	0	--	6
MOV.W Rs,@aa:16	W	Rs16→@aa:16						4			--	--	Δ	Δ	0	--	6
POP Rd	W	@SP→Rd16 SP+2→SP					2				--	--	Δ	Δ	0	--	6
PUSH Rs	W	SP-2→SP Rs16→@SP					2				--	--	Δ	Δ	0	--	6



**Table 2-2. List of Instructions (2)**

Mnemonic	Operand Size	Operation	Addressing Mode and Instruction Length (Bytes)						Condition Code	No. of States							
			#xx: 8/16	Rn	@ Rn	@ (d:16,Rn)	@ -Rn/@ Rn+	@ aa:8/16									
			@ (d:8, PC)	@ @aa	Implied	I	H	N			Z	V0	C				
ADD.B #xx:8,Rd	B	Rd8+#xx:8→Rd8	2							--	Δ	Δ	Δ	Δ	Δ	Δ	2
ADD.B Rs,Rd	B	Rd8+Rs8→Rd8		2						--	Δ	Δ	Δ	Δ	Δ	Δ	2
ADD.W Rs,Rd	W	Rd16+Rs16→Rd16		2						--	(1)	Δ	Δ	Δ	Δ	Δ	2
ADDX.B #xx:8,Rd	B	Rd8+#xx:8+C→Rd8	2							--	Δ	Δ	(2)	Δ	Δ	Δ	2
ADDX.B Rs,Rd	B	Rd8+Rs8 +C→Rd8		2						--	Δ	Δ	(2)	Δ	Δ	Δ	2
ADDS.W #1,Rd	W	Rd16+1→Rd16		2						--	--	--	--	--	--	--	2
ADDS.W #2,Rd	W	Rd16+2→Rd16		2						--	--	--	--	--	--	--	2
INC.B Rd	B	Rd8+1→Rd8		2						--	--	Δ	Δ	Δ	Δ	--	2
DAA.B Rd	B	Rd8 decimal adjust→Rd8		2						--	*	Δ	Δ	*	(3)	--	2
SUB.B Rs,Rd	B	Rd8-Rs8→Rd8		2						--	Δ	Δ	Δ	Δ	Δ	Δ	2
SUB.W Rs,Rd	W	Rd16-Rs16→Rd16		2						--	(1)	Δ	Δ	Δ	Δ	Δ	2
SUBX.B #xx:8,Rd	B	Rd8#xx:8 -C→Rd8	2							--	Δ	Δ	(2)	Δ	Δ	Δ	2
SUBX.B Rs,Rd	B	Rd8-Rs8 -C→Rd8		2						--	Δ	Δ	(2)	Δ	Δ	Δ	2
SUBS.W #1,Rd	W	Rd16-1→Rd16		2						--	--	--	--	--	--	--	2
SUBS.W #2,Rd	W	Rd16-2→Rd16		2						--	--	--	--	--	--	--	2
DEC.B Rd	B	Rd8-1→Rd8		2						--	--	Δ	Δ	Δ	Δ	--	2
DAS.B Rd	B	Rd8 decimal adjust→Rd8		2						--	*	Δ	Δ	*	--	--	2
NEG.B Rd	B	0-Rd→Rd		2						--	Δ	Δ	Δ	Δ	Δ	Δ	2
CMP.B #xx:8,Rd	B	Rd8-#xx:8	2							--	Δ	Δ	Δ	Δ	Δ	Δ	2
CMP.B Rs,Rd	B	Rd8-Rs8		2						--	Δ	Δ	Δ	Δ	Δ	Δ	2
CMP.W Rs,Rd	W	Rd16-Rs16		2						--	(1)	Δ	Δ	Δ	Δ	Δ	2
MULXU.B Rs,Rd	B	Rd8xRs8→Rd16		2						--	--	--	--	--	--	--	14
DIVXU.B Rs,Rd	B	Rd16+Rs8→Rd16 (RdH:remainder,Rd L:quotient)		2						--	--	(5)	(6)	--	--	--	14
AND.B #xx:8,Rd	B	Rd8^xx:8→Rd8	2							--	--	Δ	Δ	0	--	--	2
AND.B Rs,Rd	B	Rd8^Rs8→Rd8		2						--	--	Δ	Δ	0	--	--	2
OR.B #xx:8,Rd	B	Rd8v#xx:8→Rd8	2							--	--	Δ	Δ	0	--	--	2
OR.B Rs,Rd	B	Rd8vRs8→Rd8		2						--	--	Δ	Δ	0	--	--	2
XOR.B #xx:8,Rd	B	Rd8@#xx:8→Rd8	2							--	--	Δ	Δ	0	--	--	2
XOR.B Rs,Rd	B	Rd8@Rs8→Rd8		2						--	--	Δ	Δ	0	--	--	2
NOT.B Rd	B	$\bar{Rd}$ →Rd		2						--	--	Δ	Δ	0	--	--	2

**Table 2-2. List of Instructions (3)**

Mnemonic	Operand Size	Operation	Addressing Mode and Instruction Length (Bytes)						Condition Code	No. of States							
			#xx: 8/16	Rn	@Rn	@(d:16,Rn)	@-Rn/@Rn+	@aa:8/16			@(d:8, PC)	@aa	Implied				
I	H	N	Z	V0	C												
SHAL.B Rd	B			2							-	-	Δ	Δ	Δ	Δ	2
SHAR.B Rd	B			2							-	-	Δ	Δ	0	Δ	2
SHLL.B Rd	B			2							-	-	Δ	Δ	0	Δ	2
SHLR.B Rd	B			2							-	-	0	Δ	0	Δ	2
ROTXL.B Rd	B			2							-	-	Δ	Δ	0	Δ	2
ROTXR.B Rd	B			2							-	-	Δ	Δ	0	Δ	2
ROTL.B Rd	B			2							-	-	Δ	Δ	0	Δ	2
ROTR.B Rd	B			2							-	-	Δ	Δ	0	Δ	2
BSET #xx:3,Rd	B	(#xx:3 of Rd)←1		2							-	-	-	-	-	-	2
BSET #xx:3,@Rd	B	(#xx:3 of @Rd16←1)		4							-	-	-	-	-	-	8
BSET #xx:3,@aa:8	B	(#xx:3 of @aa:8)←1		4							-	-	-	-	-	-	8
BSET Rn,Rd	B	(Rn8 of Rd8)←1		2							-	-	-	-	-	-	2
BSET Rn,@Rd	B	(Rn8 of @Rd16)←1		4							-	-	-	-	-	-	8
BSET Rn,@aa:8	B	(Rn8 of @aa:8)←1		4							-	-	-	-	-	-	8

**Table 2-2. List of Instructions (4)**

Mnemonic	Operand Size	Operation	Addressing Mode and Instruction Length (Bytes)							Condition Code	No. of States					
			#xx: 8/16	Rn	@ Rn	@ (d:16,Rn)	@-Rn/@ Rn+	@ aa:8/16	@ (d:8, PC)			@ @aa	Implied			
									I	H	N	Z	V0	C		
BCLR #xx:3,Rd	B	(#xx:3 of Rd8)←0		2							-	-	-	-	2	
BCLR #xx:3,@Rd	B	(#xx:3 of @Rd16)←0			4						-	-	-	-	8	
BCLR #xx:3,@aa:8	B	(#xx:3 of @aa:8)←0						4			-	-	-	-	8	
BCLR Rn,Rd @Rd	B	(Rn8 of @Rd8)←0		2							-	-	-	-	2	
BCLR Rn,@Rd	B	(Rn8 of @Rd 16)←0			4						-	-	-	-	8	
BCLR Rn,@aa:8	B	(Rn8 of @aa:8)←0						4			-	-	-	-	8	
BNOT #xx:3,Rd	B	(#xx:3 of Rd8)← (#xx:3 of Rd 8)		2							-	-	-	-	2	
BNOT #xx:3,@Rd	B	(#xx:3 of @Rd16)← (#xx:3 of @Rd 16)			4						-	-	-	-	8	
BNOT #xx:3,@aa:8	B	(#xx:3 of @aa:8) (#xx:3 of @aa:8)						4			-	-	-	-	8	
BNOT Rn,Rd	B	(Rn8 of Rd8) ← (Rn8 of Rd8)		2							-	-	-	-	2	
BNOT Rn,@Rd	B	(Rn8 of @Rd16) ← (Rn8 of @Rd 16)			4						-	-	-	-	8	
BNOT Rn,@aa 8	B	(Rd8 of @aa:8) ← (Rn 8 of @aa:8)						4			-	-	-	-	8	
BTST #xx:3,Rd	B	(#xx:3 of Rd8) → Z		2							-	-	-	Δ	2	
BTST #xx:3,@Rd	B	(#xx:3 of @Rd16) → Z			4						-	-	-	Δ	6	
BTST #xx:3,@aa:8	B	(#xx:3 of @aa:8) → Z						4			-	-	-	Δ	6	
BTST Rn,Rd	B	(Rn8 of Rd8)→ Z		2							-	-	-	Δ	2	
BTST Rn,@Rd	B	(Rn8 of @Rd16) → Z			4						-	-	-	Δ	6	
BTST Rn,@aa:8	B	(Rn8 of @aa:8) → Z						4			-	-	-	Δ	6	
BLD #xx:3,Rd	B	(#xx 3 of Rd8) → C		2							-	-	-	-	Δ	2
BLD #xx:3,@Rd	B	(#xx:3 of @Rd16) → C			4						-	-	-	-	Δ	6
BLD #xx:3,@aa:8	B	(#xx:3 of @aa:8) → C						4			-	-	-	-	Δ	6
BILD #xx:3,Rd	B	(#xx:3 of Rd8) → C		2							-	-	-	-	Δ	2
BILD #xx:3,@Rd	B	(#xx:3 of @Rd16) → C			4						-	-	-	-	Δ	6
BILD #xx:3,@aa8	B	(#xx:3 of @aa:8) → C						4			-	-	-	-	Δ	6
BST #xx:3,Rd	B	C → (#xx:3 of Rd8)		2							-	-	-	-	2	
BST #xx:3,@Rd	B	C → (#xx:3 of @Rd16)			4						-	-	-	-	8	
BST #xx:3,@aa:8	B	C → (#xx:3 of @aa:8)						4			-	-	-	-	8	

**Table 2-2. List of Instructions (5)**

Mnemonic	Operand Size	Operation	Addressing Mode and Instruction Length (Bytes)						Condition Code	No. of States						
			#xx: 8/16	Rn	@Rn	@(d:16;Rn)	@-Rn/@Rn+	@aa:8/16								
			@(d:8;PC)	@@aa	Implied	I	H	N			Z	V0	C			
BIST #xx:3,Rd	B	$\bar{C} \rightarrow (\#xx:3 \text{ of } Rd8)$	2							-	-	-	-	-	-	2
BIST #xx:3,@Rd	B	$\bar{C} \rightarrow (\#xx:3 \text{ of } @Rd16)$		4						-	-	-	-	-	-	8
BIST #xx:3,@aa:8	B	$\bar{C} \rightarrow (\#xx:3 \text{ of } @aa:8)$					4			-	-	-	-	-	-	8
BAND #xx:3,Rd	B	$C \wedge (\#xx:3 \text{ of } Rd8) \rightarrow C$	2							-	-	-	-	-	$\Delta$	2
BAND #xx:3,@Rd	B	$C \wedge (\#xx:3 \text{ of } @Rd16) \rightarrow C$		4						-	-	-	-	-	$\Delta$	6
BAND #xx:3,@aa:8	B	$C \wedge (\#xx:3 \text{ of } @aa:8) \rightarrow C$					4			-	-	-	-	-	$\Delta$	6
BIAND #xx:3,Rd	B	$C \wedge (\#xx:3 \text{ of } Rd8) \rightarrow C$	2							-	-	-	-	-	$\Delta$	2
BIAND #xx:3,@Rd	B	$C \wedge (\#xx:3 \text{ of } @Rd16) \rightarrow C$		4						-	-	-	-	-	$\Delta$	6
BIAND #xx:3,@aa:8	B	$C \wedge (\#xx:3 \text{ of } @aa:8) \rightarrow C$					4			-	-	-	-	-	$\Delta$	6
BOR #xx:3,Rd	B	$C \vee (\#xx:3 \text{ of } Rd8) \rightarrow C$	2							-	-	-	-	-	$\Delta$	2
BOR #xx:3,@Rd	B	$C \vee (\#xx:3 \text{ of } @Rd16) \rightarrow C$		4						-	-	-	-	-	$\Delta$	6
BOR #xx:3,@aa:8	B	$C \vee (\#xx:3 \text{ of } @aa:8) \rightarrow C$					4			-	-	-	-	-	$\Delta$	6
BIOR #xx:3,Rd	B	$C \vee (\#xx:3 \text{ of } Rd8) \rightarrow C$	2							-	-	-	-	-	$\Delta$	2
BIOR #xx:3,@Rd	B	$C \vee (\#xx:3 \text{ of } @Rd16) \rightarrow C$		4						-	-	-	-	-	$\Delta$	6
BIOR #xx:3,@aa:8	B	$C \vee (\#xx:3 \text{ of } @aa:8) \rightarrow C$					4			-	-	-	-	-	$\Delta$	6
BXOR #xx:3,Rd	B	$C \oplus (\#xx:3 \text{ of } Rd8) \rightarrow C$	2							-	-	-	-	-	$\Delta$	2
BXOR #xx:3,@Rd	B	$C \oplus (\#xx:3 \text{ of } @Rd16) \rightarrow C$		4						-	-	-	-	-	$\Delta$	6
BXOR #xx:3,@aa:8	B	$C \oplus (\#xx:3 \text{ of } @aa:8) \rightarrow C$					4			-	-	-	-	-	$\Delta$	6
BIXOR #xx:3,Rd	B	$C \oplus (\#xx:3 \text{ of } Rd8) \rightarrow C$	2							-	-	-	-	-	$\Delta$	2
BIXOR #xx:3,@Rd	B	$C \oplus (\#xx:3 \text{ of } @Rd16) \rightarrow C$		4						-	-	-	-	-	$\Delta$	6
BIXOR #xx:3,@aa:8	B	$C \oplus (\#xx:3 \text{ of } @aa:8) \rightarrow C$					4			-	-	-	-	-	$\Delta$	6
BRA d:8 (BTd:8)	--	$PC \leftarrow PC+d:8$						2		-	-	-	-	-	-	4
BRN d:8 (BFd:8)	--	$PC \leftarrow PC+2$						2		-	-	-	-	-	-	4

**Table 2-2. List of Instructions (6)**

Mnemonic	Operand Size	Operation	Addressing Mode and Instruction Length (Bytes)						Condition Code	No. of States						
			#xx: 8/16	Rn	@Rn	@(d:16,Rn)	@-Rn/@Rn+	@aa:8/16								
			@(d:8, PC)	@@aa												
		Branching Condition							I	H	N	Z	V0	C		
BPL d:8	--	if conditionN=0 is true then PC←PC+d :8 else next;						2	-	-	-	-	-	-	-	4
BMI d:8	--	N=1						2	-	-	-	-	-	-	-	4
BGE d:8	--	N@V=0						2	-	-	-	-	-	-	-	4
BLT d:8	--	N@V=1						2	-	-	-	-	-	-	-	4
BGT d:8	--	Zv(N@V)=0						2	-	-	-	-	-	-	-	4
BLE d:8	--	Zv(N@V)=1						2	-	-	-	-	-	-	-	4
JMP @Rn	--	PC ← Rn16		2					-	-	-	-	-	-	-	4
JMP @aa:16	--	PC ← aa:16						4	-	-	-	-	-	-	-	6
JMP @@aa:8	--	PC ← @aa:8						2	-	-	-	-	-	-	-	8
BSR	--	SP-2 → SP PC → @SP PC ← PC+d:8						2	-	-	-	-	-	-	-	6
JSR @Rn	--	SP-2 → SP PC → @SP PC ← Rn16		2					-	-	-	-	-	-	-	6
JSR @aa:16	--	SP-2 → SP PC→@SP PC ← aa:16			4				-	-	-	-	-	-	-	8
JSR @@aa:8	--	SP-2 → SP PC→@SP PC ← @aa:8						2	-	-	-	-	-	-	-	8
RTS	--	PC ← SP SP+2 → SP						2	-	-	-	-	-	-	-	8
RTE	--	CCR←@SP SP+2→SP PC ← @SP SP+2 → SP						2	Δ	Δ	Δ	Δ	Δ	Δ	Δ	10
SLEEP	--	Transit to sleep mode.						2	-	-	-	-	-	-	-	2
LDC #xx:8,CCR	B	#xx:8 → CCR	2						Δ	Δ	Δ	Δ	Δ	Δ	Δ	2
LDC Rs,CCR	B	Rs8 → CCR	2						Δ	Δ	Δ	Δ	Δ	Δ	Δ	2
STC CCR,Rd	B	CCR → Rd8	2						-	-	-	-	-	-	-	2
ANDC #xx:8,CCR	B	CCR^#xx:8 → CCR	2						Δ	Δ	Δ	Δ	Δ	Δ	Δ	2
ORC #xx:8,CCR	B	CCR^#xx:8 →CCR	2						Δ	Δ	Δ	Δ	Δ	Δ	Δ	2

Mnemonic	Operand Size	Operation	Addressing Mode and Instruction Length (Bytes)							Condition Code	No. of States						
			#xx: 8/16	Rn	@ Rn	@(d:16,Rn)	@-Rn/@Rn+	@aa:8/16	@(d:8, PC)			@ @aa	Implied				
			Branching Condition									I	H	N	Z	V0	C
BHI d:8	--	if condition is true then PC ← PC+d:8 else next;	CvZ=0							2	-	-	-	-	-	-	4
BLS d:8	--		CvZ=1							2	-	-	-	-	-	-	4
BCC d:8 (BHS d:8)	--		C=0							2	-	-	-	-	-	-	4
BCS d:8 (BLO d:8)	--		C=1							2	-	-	-	-	-	-	4
BNE d:8	--		Z=0							2	-	-	-	-	-	-	4
BEQ d:8	--		Z=1							2	-	-	-	-	-	-	4
BVC d:8	--		V=0							2	-	-	-	-	-	-	4
BVS d:8	--		V=1							2	-	-	-	-	-	-	4

**Table 2-2. List of Instructions (7)**

Mnemonic	Operand Size	Operation	Addressing Mode and Instruction Length (Bytes)							No. of States							
			#xx: 8/16	Rn	@Rn	@(d:16,Rn)	@-Rn/@Rn+	@aa:8/16	@(d:8, PC)		@@aa	Implied	Condition Code				
										I	H	N	Z	V0	C		
XORC #xx:8,CCR	B	CCR@#xx:8 → CCR 2									Δ	Δ	Δ	Δ	Δ	Δ	2
NOP	--	PC ← PC+2									2	-	-	-	-	-	2
EEPMOV	--	if R4L≠0 Repeat @R5 → @ R6 R5+1 → R5 R6+1 → R6 R4L-1 → R4L Until R4L=0 else next;									4	-	-	-	-	-	(4)

Notes: The number of execution states indicated here assumed that the operation code and operand data are in on-chip memory. For other cases, refer to section 2.5, Number of Execution States.

- (1) Set to 1 when there is a carry or borrow at bit 11; otherwise cleared to 0.
- (2) When the result is 0, the previous value remains unchanged; otherwise cleared to 0.
- (3) Set to 1 when there is a carry in the adjusted result; otherwise the previous value remains unchanged.
- (4) The number of execution states is  $4n + 9$ , with  $n$  being the value set in R4L.
- (5) Set to 1 when the divisor is negative; otherwise cleared to 0.
- (6) Set to 1 when the divisor is 0; otherwise cleared to 0.

## 2.5 Number of Execution States

The tables here can be used to calculate the number of states required for instruction execution. Table 2-3 indicated the number of states required for each cycle (instruction fetch, branch address read, stack operation, byte data access, word data access, internal operation). Table 2-4 indicates the number of cycles of each type occurring in each instruction.. The total number of states required for execution of an instruction can be calculated from these two tables as follows:

$$\text{Execution states} = I \times S_i + J \times S_j + K \times S_k + L \times S_L + M \times S_M + N \times S_N$$

**Examples:** When instruction is fetched from on-chip ROM, and an on-chip RAM is accessed.

1. BSET #0, @'FF00

From table 2-4:

$$I=L=2, J=K=M=N=0$$

From table 2- 3:

$$S_i = 2, S_L = 2$$

$$\text{Number of states required for execution} = 2 \times 2 + 2 \times 2 = 8$$

When instruction is fetched from on-chip ROM, branch address is read from on-chip ROM, and on-chip RAM is used for stack area.

2. JSR @@ 30

From table 2-4:

$$I=2, J=K= 1, L=M=N=0$$

From table 2-3:

$$S_i=S_j=S_k=2$$

$$\text{Number of states required for execution} = 2 \times 2 + 1 \times 2 + 1 \times 2 = 8$$

**Table 2-3. Number of States Taken by Each Cycle in Instruction Execution**

Execution Status (instruction cycle)	Access Location	
	On-Chip Memory	On-Chip Peripheral Moduel
Instruction fetch $S_i$		
Branch address read $S_j$		
Stack operation $S_k$	2	
Byte data access $S_L$		2 or 3*
Word data access $S_M$		
Internal operation $S_N$		1

\* Depends on which on-chip module is accessed. See the applicable hardware manual for details.



**Table 2-4. Number of Cycles in Each Instruction**

Instruction	Mnemonic	Instruction	Branch	Stack	Byte Data	Word Data	Internal
		Fetch	Addr. Read	Operation	Access	Access	Operation
		I	J	K	L	M	N
ADD	ADD.B #xx:8, Rd	1					
	ADD.B Rs, Rd	1					
	ADD.W Rs, Rd	1					
ADDS	ADDS.W #1/2, Rd	1					
ADDX	ADDX.B #xx:8, Rd	1					
	ADDX.B Rs, Rd	1					
AND	AND.B #xx:8, Rd	1					
	AND.B Rs, Rd	1					
ANDC	ANDC #xx:8, CCR	1					
BAND	BAND #xx:3, Rd	1					
	BAND #xx:3, @Rd	2			1		
	BAND #xx:3, @aa:8	2			1		
Bcc	BRA d:8 (BT d:8)	2					
	BRN d:8 (BF d:8)	2					
	BHI d:8	2					
	BLS d:8	2					
	BCC d:8 (BHS d:8)	2					
	BCS d:8 (BLO d:8)	2					
	BNE d:8	2					
	BEQ d:8	2					
	BVC d:8	2					
	BVS d:8	2					
	BPL d:8	2					
	BMI d:8	2					
	BGE d:8	2					
	BLT d:8	2					
	BGT d:8	2					
	BLE d:8	2					
BCLR	BCLR #xx:3, Rd	1					
	BCLR #xx:3, @Rd	2			2		
	BCLR #xx:3, @aa:8	2			2		

Instruction	Mnemonic	Instruction	Branch	Stack	Byte Data	Word Data	Internal
		Fetch	Addr. Read	Operation	Access	Access	Operation
		I	J	K	L	M	N
	BCLR Rn, Rd	1					
BCLR	BCLR Rn, @Rd	2			2		
	BCLR Rn, @aa:8	2			2		
BIAND	BIAND #xx:3, Rd	1					
	BIAND #xx:3, @Rd	2			1		
	BIAND #xx:3, @aa:8	2			1		
BILD	BILD #xx:3, Rd	1					
	BILD #xx:3, @Rd	2			1		
	BILD #xx:3, @aa:8	2			1		
BIOR	BIOR #xx:3, Rd	1					
	BIOR #xx:3, @Rd	2			1		
	BIOR #xx:3, @aa:8	2			1		
BIST	BIST #xx:3, Rd	1					
	BIST #xx:3, @Rd	2			2		
	BIST #xx:3, @aa:8	2			2		
BIXOR	BIXOR #xx:3, Rd	1					
	BIXOR #xx:3, @Rd	2			1		
	BIXOR #xx:3, @aa:8	2			1		
BLD	BLD #xx:3, Rd	1					
	BLD #xx:3, @Rd	2			2		
	BLD #xx:3, @aa:8	2			2		
BNOT	BNOT #xx:3, Rd	1					
	BNOT #XX:3, @Rd	2			2		
	BNOT #xx:3, @aa:8	2			2		
	BNOT Rn, Rd	1					
	BNOT Rn, @Rd	2			2		
	BNOT Rn, @aa:8	2			2		
BOR	BOR #xx:3, Rd	1					
	BOR #xx:3, @Rd	2			1		
	BOR #xx:3, @aa:8	2			1		
BSET	BSET #xx:3, Rd	1					
	BSET #XX:3, @Rd	2			2		
	BSET #xx:3, @aa:8	2			2		

Instruction	Mnemonic	Instruction	Branch	Stack	Byte Data	Word Data	Internal
		Fetch	Addr. Read	Operation	Access	Access	Operation
		I	J	K	L	M	N
	BSET Rn, Rd	1					
	BSET Rn, @Rd	2			2		
BSET	BSET Rn, @aa:8	2			2		
BSR	BSR d:8	2		1			
BST	BST #xx:3, Rd	1					
	BST #xx:3, @Rd	2			2		
	BST #xx:3, @aa:8	2			2		
BTST	BTST #xx:3, Rd	1					
	BTST #xx:3, @Rd	2			1		
	BTST #xx:3, @aa:8	2			1		
	BTST Rn, Rd	1					
	BTST Rn, @Rd	2			1		
	BTST Rn, @aa:8	2			1		
BXOR	BXOR #xx:3, Rd	1					
	BXOR #xx:3, @Rd	2			1		
	BXOR #xx:3, @aa:8	2			1		
CMP	CMP. B #xx:8, Rd	1					
	CMP. B Rs, Rd	1					
	CMP.W Rs, Rd	1					
DAA	DAA.B Rd	1					
DAS	DAS.B Rd	1					
DEC	DEC.B Rd	1					
DIVXU	DIVXU.B Rs Rd	1					12
EEPMOV	EEPMOV	2			2n+2*		1
INC	INC.B Rd	1					
JMP	JMP @Rn	2					
	JMP @aa:16	2					2
	JMP @@aa:8	2	1				2
JSR	JSR @Rn	2		1			
	JSR @aa:16	2		1			2
	JSR @@aa:8	2	1	1			
LDC	LDC #xx:8, CCR	1					
	LDC Rs, CCR	1					

Instruction	Mnemonic	Instruction	Branch	Stack	Byte Data	Word Data	Internal	
		Fetch	Addr. Read	Operation	Access	Access	Operation	
		I	J	K	L	M	N	
MOV	MOV.B #xx:8, Rd	1						
	MOV.B Rs, Rd	1						
	MOV.B @Rs, Rd	1			1			
MOV	MOV.B @(d:16, Rs), Rd	2			1			
	MOV.B @Rs+, Rd	1			1		2	
	MOV.B @aa:8, Rd	1			1			
	MOV.B @aa:16, Rd	2			1			
	MOV.B Rs, @Rd	1			1			
	MOV.B Rs, @(d:16, Rd)	2			1			
	MOV.B Rs, @-Rd	1			1		2	
	MOV.B Rs, @aa:8	1			1			
	MOV.B Rs, @aa:16	2			1			
	MOV.W #xx: 16, Rd	2						
	MOV.W Rs, Rd	1						
	MOV.W @Rs, Rd	1					1	
	MOV.W @(d:16, Rs), Rd	2					1	
	MOV.W @Rs+, Rd	1					1	2
	MOV.W @aa:16, Rd	2					1	
	MOV.W Rs, @Rd	1					1	
	MOV.W Rs, @(d:16,Rd)	2						
MOV.W Rs, @-Rd	1					1	2	
MOV.W Rs, @aa:16	2					1		
MULXU	MULXU.B Rs, Rd	1					12	
NEG	NEG.B Rd	1						
NOP	NOP	1						
NOT	NOT.B Rd	1						
OR	OR.B #xx:8, Rd	1						
	OR.B Rs, Rd	1						
ORC	ORC #xx:8, CCR	1						
POP	POP Rd	1		1			2	
PUSH	PUSH Rs	1		1			2	
ROTL	ROTL.B Rd	1						
ROTR	ROTR.B Rd	1						

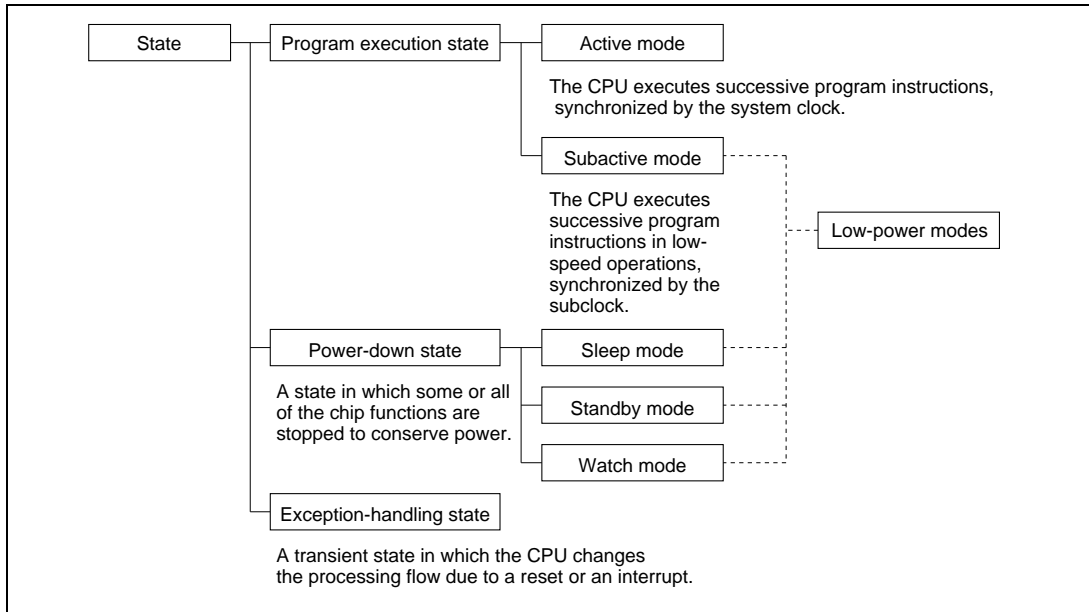
Instruction	Mnemonic	Instruction	Branch	Stack	Byte Data	Word Data	Internal
		Fetch	Addr. Read	Operation	Access	Access	Operation
		I	J	K	L	M	N
ROTXL	ROTXL.B Rd	1					
ROTXR	ROTXR.B Rd	1					
RTE	RTE	2		2			2
RTS	RTS	2		1			2
SHLL	SHLL.B Rd	1					
SHAL	SHAL.B Rd	1					
SHAR	SHAR.B Rd	1					
SHLR	SHLR.B Rd	1					
SLEEP	SLEEP	1					
STC	STC CCR, Rd	1					
SUB	SUB.B Rs, Rd	1					
	SUB.W Rs, Rd	1					
SUBS	SUBS.W #1/2, Rd	1					
SUBX	SUBX.B #xx:8, Rd	1					
	SUBX.B Rs, Rd	1					
XOR	XOR.B #xx:8, Rd	1					
	XOR.B Rs, Rd	1					
XORC	XORC #xx:8, CCR	1					

\*n: Initial value in R4L. The source and destination operands are accessed n + 1 times each.

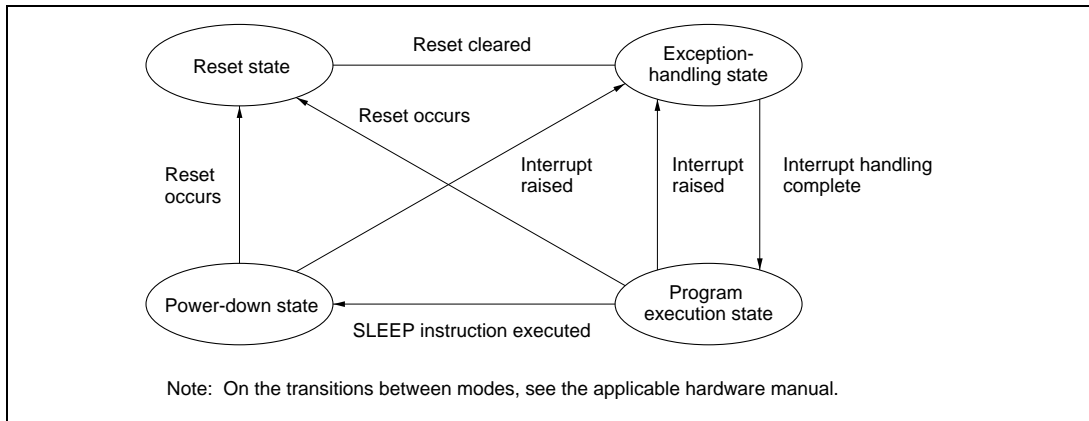


## Section 3. CPU Operation States

There are three CPU operation states, namely, program execution state, power-down state, and exception-handling state. In power-down state there are sleep mode, standby mode, and watch mode. These operation states are shown in figure 3-1. Figure 3-2 shows the state transitions. For further details please refer to the applicable hardware manual.



**Figure 3-1. CPU Operation States**



**Figure 3-2. State Transitions**

### **3.1 Program Execution State**

In program execution state the CPU executes program instructions in sequence.

### **3.2 Exception Handling States**

Exception-handling states are transient states occurring when exception handling is raised by a reset or interrupt, and the CPU changes its normal processing flow, branching to a start address acquired from a vector table. In exception handling caused by an interrupt, PC and CCR values are saved to the stack, with reference made to a stack pointer (R7).

#### **3.2.1 Types and Priorities of Exception Handling**

Exception handling includes processing of reset exceptions and of interrupts. Table 3-1 summarizes the factors causing each kind of exception, and their priorities. Reset exception handling has the highest priority.



**Table 3-1. Types of Exception Handling and Priorities**

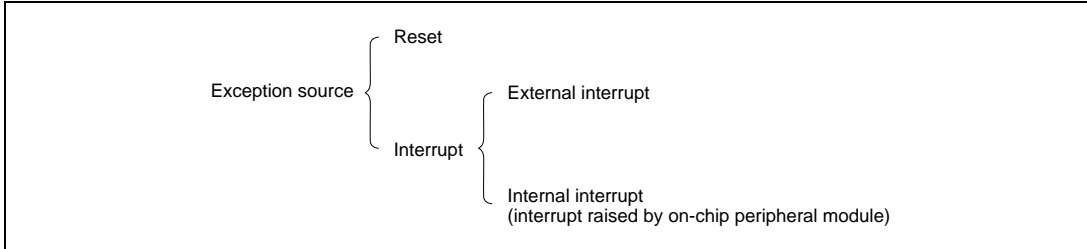
<b>Priority</b>	<b>Exception source</b>	<b>Detection timing</b>	<b>Timing for start of exception handling</b>
High	Reset	Clock-synchronous	Reset exception handling starts as soon as $\overline{\text{RES}}$ pin changes from low to high.
Low	Interrupt	End of instruction execution*	When an interrupt request is made, interrupt exception handling starts after execution of the present instruction is completed.

\* Interrupt detection is not made upon completion of ANDC, ORC, XORC, and LDC instruction execution, nor upon completion of reset exception handling.

### 3.2.2 Exception Sources and Vector Table

The factors causing exception handling can be classified as in figure 3-3.

For details of exception handling, the vector numbers of each source, and the vector addresses, see the applicable hardware manual.

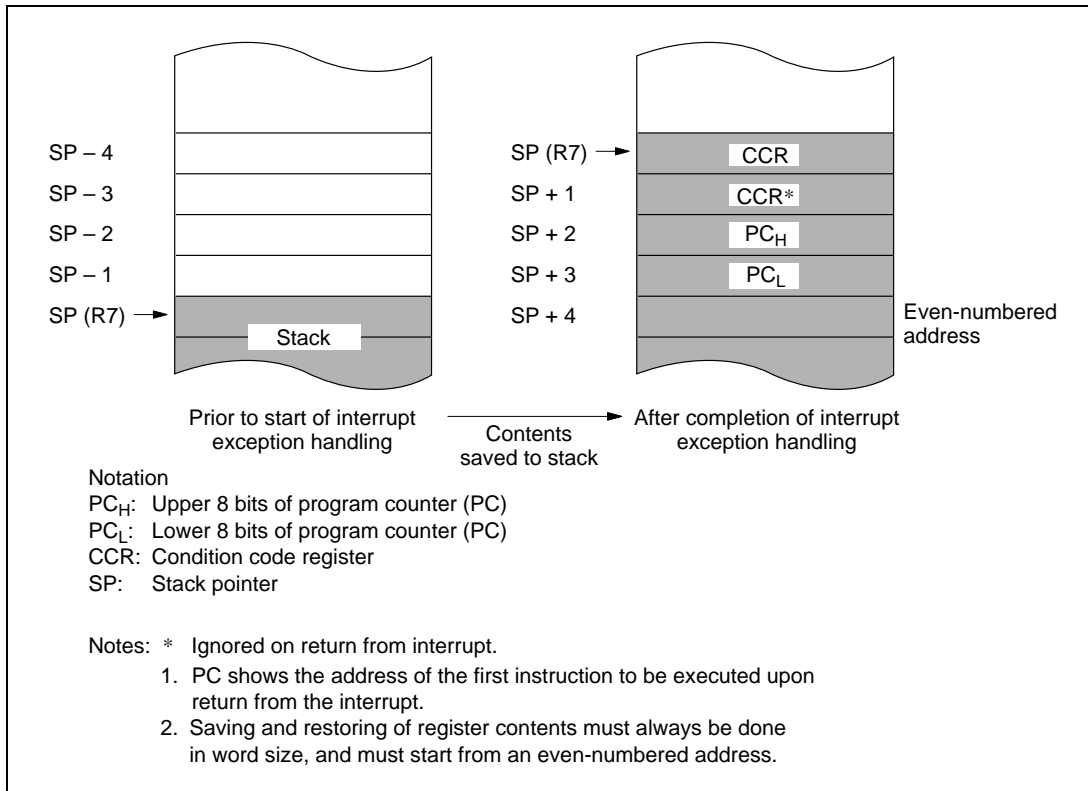


**Figure 3-3. Classification of Exception Sources**

### 3.2.3 Outline of Exception Handling Operation

A reset has the highest priority of all exception handling. After the  $\overline{\text{RES}}$  pin goes to low level putting the CPU in reset state, the  $\overline{\text{RES}}$  pin is then put at high level, and reset exception handling is started at the point when the reset conditions are met. For details on reset conditions refer to the applicable hardware manual. When reset exception handling is started, the CPU gets a start address from the exception handling vector table, and starts executing the exception handling routine from that address. During execution of this routine and immediately after, all interrupts including NMI are masked.

When interrupt exception handling is started, the CPU refers to the stack pointer (R7) and pushes the PC and CCR contents to the stack. The CCR I bit is then set to 1, a start address is acquired from the exception handling vector table, and the interrupt exception handling routine is executed from this address. The stack state in this case is as shown in figure 3-4.



**Figure 3-4. Stack State after Completion of Interrupt Exception Handling**

### 3.3 Reset State

When the  $\overline{RES}$  pin goes to low level, all processing stops and the system goes to reset state. The I bit of the condition code register (CCR) is set, masking all interrupts.

After the  $\overline{RES}$  pin is changed externally from low to high level, reset exception handling starts at the point when the reset conditions are met. For details on reset conditions refer to the applicable hardware manual.

### 3.4 Power-Down State

In power-down state the CPU operation is stopped, reducing power consumption. For details see the applicable hardware manual.



## Section 4. Basic Operation Timing

CPU operation is synchronized by a clock ( $\phi$ ). The period from the rising edge of  $\phi$  to the next rising edge is called one state. A memory cycle or bus cycle consists of two or three states. For details on access to on-chip memory and to on-chip peripheral modules see the applicable hardware manual.

### 4.1 On-chip Memory (RAM, ROM)

Two-state access is employed for high-speed access to on-chip memory. The data bus width is 16 bits, allowing access in byte or word size. Figure 4-1 shows the on-chip memory access cycle.

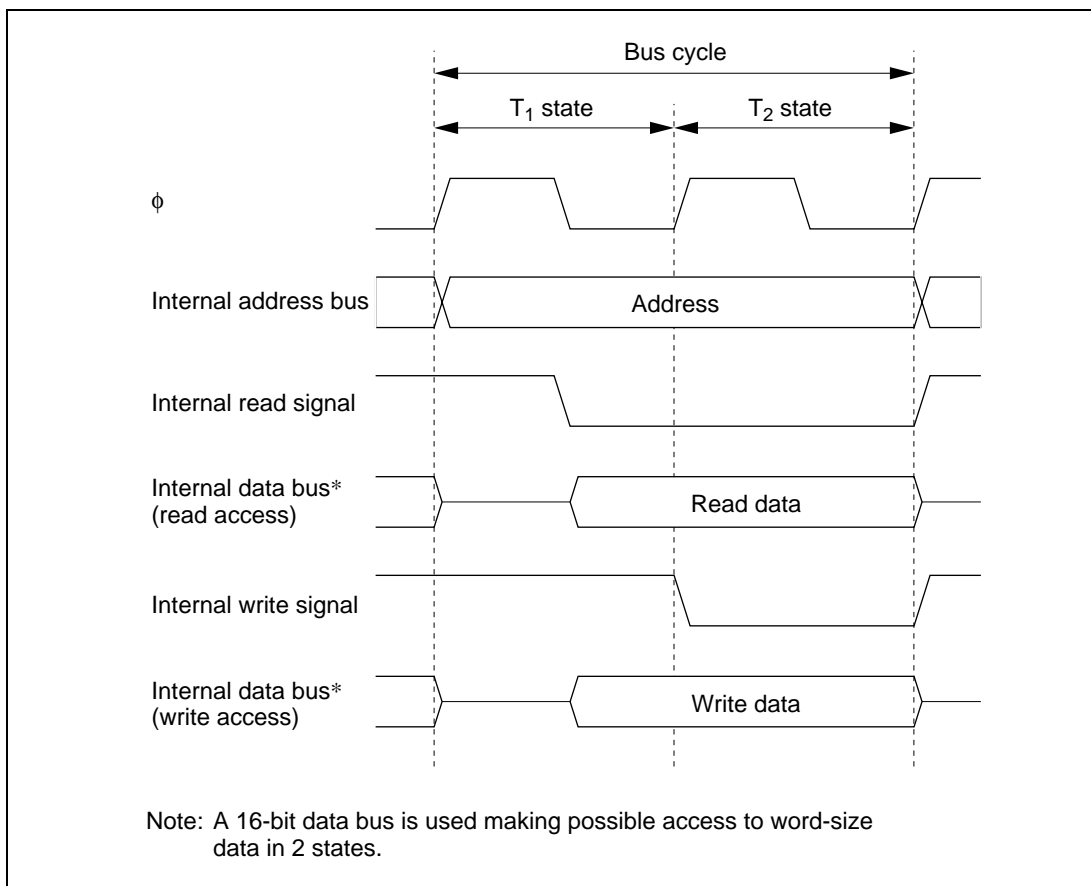
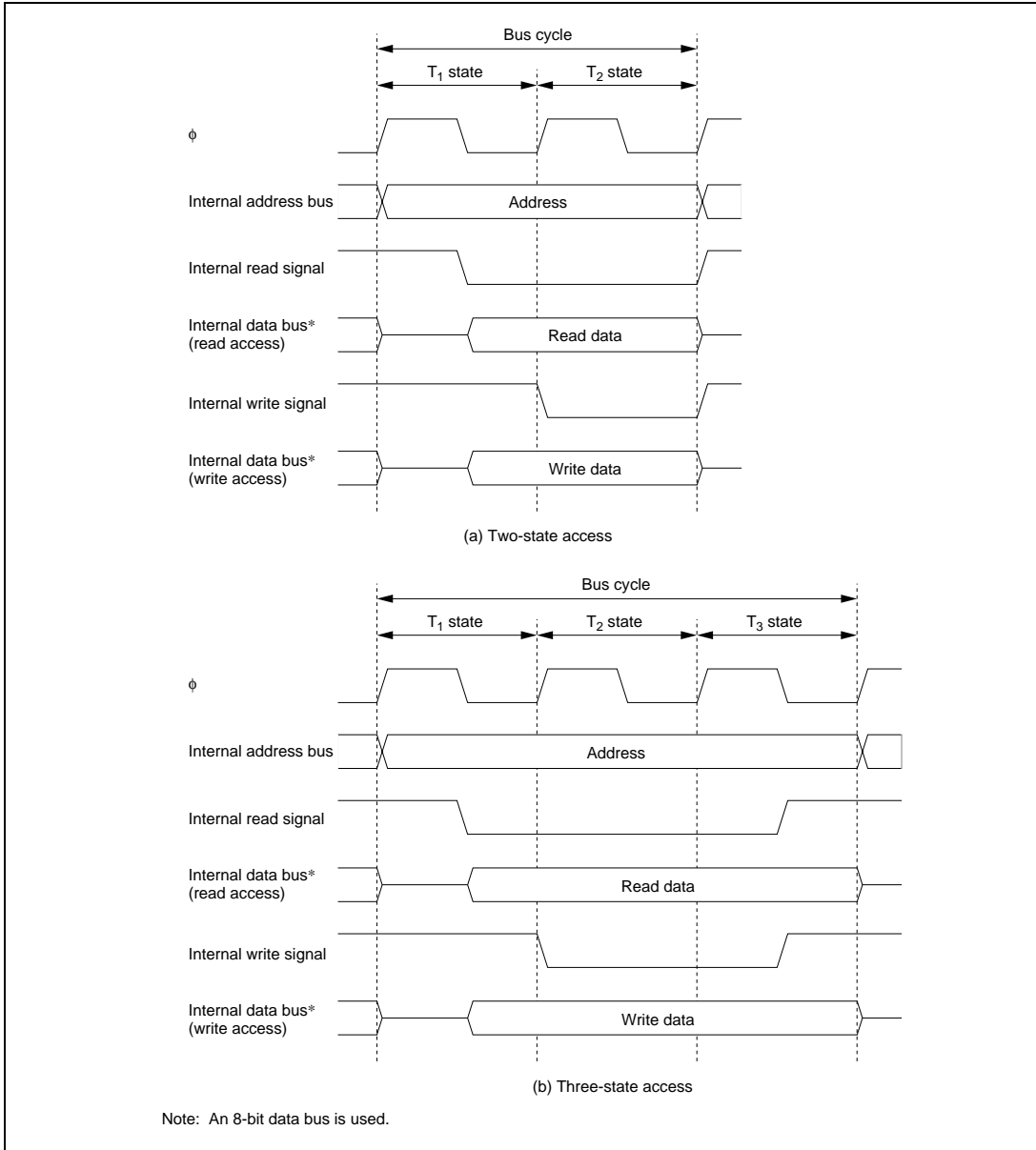


Figure 4-1. On-Chip Memory Access Cycle

## 4.2 On-chip Peripheral Modules and External Devices

On-chip peripheral modules are accessed in two or three states. The data bus width is 8 bits, so access is made in byte size only. Access to word data or instruction codes is not possible. Figure 4-2 shows the on-chip peripheral module access cycle.



**Figure 4-2. On-Chip Peripheral Module Access Cycle**